



# FIL-PEMTO

Valvole & Raccordi

**FIL-PEMTO**  
**PRESSFITTING**  
SYSTEM

**ACACCIAIO INOX AISI 316L**  
**ACACCIAIO INOX AISI 316L GAS**  
**ACACCIAIO AL CARBONIO**

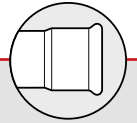
**MARZO 2018**

ACQUA	GAS	RISCALDAMENTO	ANTINCENDIO	CLIMATIZZAZIONE	NAVALE	INDUSTRIALE	AIRA COMPRESSA



# OMOLOGAZIONI INTERNAZIONALI

[Luglio 2017]



PROFILO  
**M**

## ACCIAIO INOX AISI 316L \*\*

	Germania		
	Francia		
	Austria		
	Norvegia		
	Svezia		
	Olanda		
	Svizzera		
	Danimarca		
	Russia		
	Italia		Prodotto conforme al <b>DM 174</b> del 2004. Prove effettuate da <b>IMQ</b>
	Rep. Ceca		
	Australia		
	Ungheria		
	Polonia		
	USA		

## ACCIAIO INOX GAS AISI 316L

	Germania	
	Austria	

## ACCIAIO AL CARBONIO

	Germania	
	Francia	
	Svezia	
	Russia	
	Rep. Ceca	
	Ungheria	
	Polonia	
	Australia	

## CUPRONICKEL

	Italia	
--	--------	--






La qualità dei materiali impiegati e l'adozione di un rigoroso controllo qualità hanno permesso al sistema di ottenere la conformità alle più severe certificazioni internazionali.

\* Omologazione ottenuta direttamente dal distributore

\*\* gamma omologata da Ø15 a Ø108 mm

\*\*\* gamma omologata **VdS** da Ø22 a Ø108 mm, valida esclusivamente per l'utilizzo abbinato di tubi e raccordi.

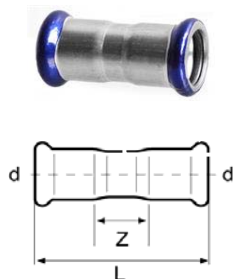
## INDICE

	ACCIAIO INOX AISI 316L	pg. 3
	ACCIAIO INOX GAS AISI 316L	pg. 15
	ACCIAIO AL CARBONIO	pg. 22
	ACCESSORI	pg. 32
	TUBI	pg. 34

**FIL-PEMTO**  
**PRESSFITTING**  
SYSTEM

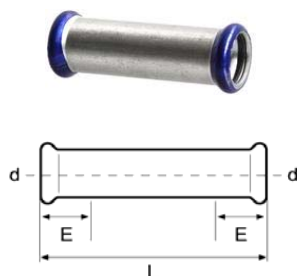


**MANICOTTO**



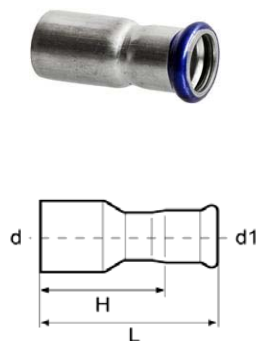
Codice	d	L	Z	peso in grammi	€	lotto minimo
S10AB-LBP	12	42	6	24	4,03	100
S10AC-LBP	15	52	10	40	3,66	100
S10AD-LBP	18	52	10	46	3,93	100
S10AE-LBP	22	59	13	62	4,75	100
S10AF-LBP	28	61	13	78	5,69	100
S10AG-LBP	35	72	18	107	6,60	60
S10AH-LBP	42	79	15	148	8,57	30
S10AJ-LBP	54	90	16	210	10,81	30
S10AK	76,1	142	32	594	55,05	5
S10AL	88,9	163	37	792	62,92	5
S10AM	108	192	38	1.144	79,97	5

**MANICOTTO PASSANTE**



Codice	d	L	E	peso in grammi	€	lotto minimo
S11AB-LBP	12	56	20	33	6,62	100
S11AC-LBP	15	71	24	52	6,02	100
S11AD-LBP	18	77	25	63	6,27	50
S11AE-LBP	22	82	27	84	7,11	50
S11AF-LBP	28	90	28	110	8,35	50
S11AG-LBP	35	99	31	151	9,33	50
S11AH-LBP	42	115	35	209	10,80	30
S11AJ-LBP	54	139	40	322	13,75	20
S11AK	76,1	230	60	927	81,30	5
S11AL	88,9	258	70	1.208	91,79	5
S11AM	108	305	80	1.727	110,14	5

**MANICOTTO DI RIDUZIONE MF**

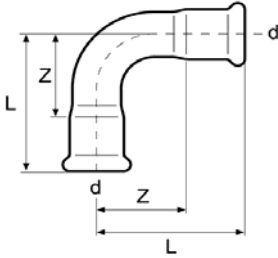


Codice	d - d1	L	H	peso in grammi	€	lotto minimo
S12CB-LBP	15-12	53	35	29	4,96	100
S12DB-LBP	18-12	61	43	37	6,91	100
S12DC-LBP	18-15	55	34	39	4,31	100
S12EB-LBP	22-12	63	45	37	7,33	100
S12EC-LBP	22-15	60	39	45	4,67	100
S12ED-LBP	22-18	57	36	46	4,96	100
S12FC-LBP	28-15	72	51	56	6,01	80
S12FD-LBP	28-18	77	56	61	5,90	80
S12FE-LBP	28-22	67	44	64	6,12	100
S12GC-LBP	35-15	82	61	84	11,42	30
S12GD-LBP	35-18	87	66	90	11,78	30
S12GE-LBP	35-22	83	60	88	7,68	80
S12GF-LBP	35-28	73	49	88	8,45	80
S12HC-LBP	42-15	91	70	114	21,48	20
S12HD-LBP	42-18	96	75	118	21,73	20
S12HE-LBP	42-22	87	64	116	14,97	30
S12HF-LBP	42-28	98	74	126	15,35	30
S12HG-LBP	42-35	79	52	114	8,92	30
S12JC-LBP	54-15	110	89	180	23,80	15
S12JD-LBP	54-18	113	92	188	23,99	15
S12JE-LBP	54-22	107	84	184	24,17	15
S12JF-LBP	54-28	99	75	185	25,23	20
S12JG-LBP	54-35	128	101	206	17,80	20
S12JH-LBP	54-42	97	65	179	10,22	20
S12KH-LBP	76,1-42	151	119	456	45,63	5
S12KJ-LBP	76,1-54	140	103	458	47,22	5
S12LJ-LBP	88,9-54	156	119	600	50,95	5
S12LK	88,9-76,1	156	101	682	69,49	5
S12MJ-LBP	108-54	204	167	876	53,56	5
S12MK	108-76,1	196	141	954	72,14	5
S12ML	108-88,9	190	127	995	79,97	5

**CURVA 90°**



R = 1,5 d



R = 1,2 d

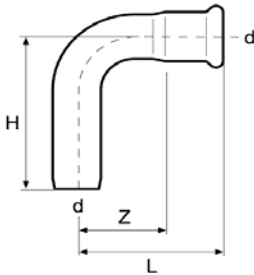
Codice	d	L	Z	peso in grammi	€	lotto minimo
S20AC-LBP	15	48	27	56	5,22	100
S20AD-LBP	18	53	32	70	6,20	100
S20AE-LBP	22	60	37	100	7,11	100
S20AF-LBP	28	71	47	144	9,00	60
S20AG-LBP	35	87	60	206	14,16	60
S20AH-LBP	42	115	83	330	25,99	30
S20AJ-LBP	54	142	105	503	35,49	20

Codice	d	L	Z	peso in grammi	€	lotto minimo
S20ZB-LBP	12	42	24	36	6,26	100
S20ZG-LBP	35	75	48	172	14,16	60
S20ZH-LBP	42	89	57	250	25,99	30
S20ZJ-LBP	54	107	70	398	35,49	20
S20ZK	76,1	150	95	966	85,20	5
S20ZL	88,9	174	111	1.312	103,59	5
S20ZM	108	215	138	1.948	141,61	5

**CURVA 90° MF**



R = 1,5 d



R = 1,2 d

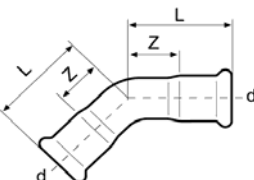
Codice	d	L	H	Z	peso in grammi	€	lotto minimo
S21AC-LBP	15	48	56	27	60	5,32	100
S21AD-LBP	18	53	62	32	72	6,07	100
S21AE-LBP	22	60	68	37	100	7,09	100
S21AF-LBP	28	71	80	47	144	8,86	50
S21AG-LBP	35	87	93	60	206	13,89	50
S21AH-LBP	42	115	125	83	310	24,78	20
S21AJ-LBP	54	142	149	105	394	34,44	20

Codice	d	L	H	Z	peso in grammi	€	lotto minimo
S21ZB-LBP	12	42	51	24	37	6,39	100
S21ZG-LBP	35	75	83	48	166	13,89	50
S21ZH-LBP	42	89	97	57	258	24,78	20
S21ZJ-LBP	54	107	116	70	376	34,44	20
S21ZK	76,1	150	165	95	996	85,20	5
S21ZL	88,9	174	190	111	1.316	103,59	5
S21ZM	108	215	238	138	1.932	141,61	5

**CURVA 45°**



R = 1,5 d



R = 1,2 d

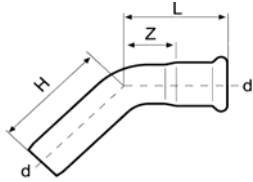
Codice	d	L	Z	peso in grammi	€	lotto minimo
S22AC-LBP	15	37	16	51	7,09	100
S22AD-LBP	18	38	17	58	7,57	100
S22AE-LBP	22	44	21	80	8,81	100
S22AF-LBP	28	51	27	118	10,27	50
S22AG-LBP	35	59	32	165	13,22	50
S22AH-LBP	42	77	45	258	21,27	20
S22AJ-LBP	54	88	51	374	27,62	20

Codice	d	L	Z	peso in grammi	€	lotto minimo
S22ZB-LBP	12	32	14	34	8,51	100
S22ZG-LBP	35	49	22	162	13,22	50
S22ZH-LBP	42	63	31	216	21,27	20
S22ZJ-LBP	54	75	38	304	27,62	20
S22ZK	76,1	98	43	773	81,30	5
S22ZL	88,9	112	49	1.008	97,04	5
S22ZM	108	138	61	1.524	132,45	5

**CURVA 45° MF**



R = 1,5 d

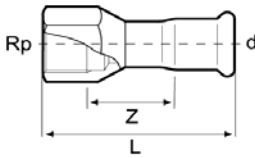


R = 1,2 d

Codice	d	L	H	Z	peso in grammi	€	lotto minimo
S23AC-LBP	15	37	48	16	60	7,13	100
S23AD-LBP	18	38	45	17	60	7,58	100
S23AE-LBP	22	44	53	21	80	8,73	100
S23AF-LBP	28	51	60	27	115	10,24	50
S23AG-LBP	35	59	66	32	166	12,48	50
S23AH-LBP	42	77	80	45	258	20,12	20
S23AJ-LBP	54	88	97	51	370	26,20	20

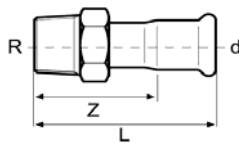
Codice	d	L	H	Z	peso in grammi	€	lotto minimo
S23ZB-LBP	12	32	41	14	33	8,56	100
S23ZG-LBP	35	49	51	22	128	12,48	50
S23ZH-LBP	42	63	72	31	310	20,12	20
S23ZJ-LBP	54	75	83	38	308	26,20	20
S23ZK	76,1	98	117	43	758	74,73	5
S23ZL	88,9	112	131	49	996	89,18	5
S23ZM	108	138	154	61	1.468	121,98	5

**MANICOTTO MISTO - FIL. FEMMINA**



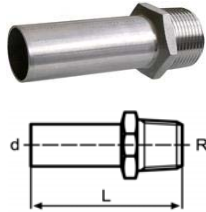
Codice	d - Rp	L	Z	peso in grammi	€	lotto minimo
S80NB-LBP	12-Rp <sup>3</sup> / <sub>8</sub>	56	28	57	9,35	100
S80PB-LBP	12-Rp <sup>1</sup> / <sub>2</sub>	52	16	49	9,46	100
S80PC-LBP	15-Rp <sup>1</sup> / <sub>2</sub>	53	20	53	7,76	100
S80QC-LBP	15-Rp <sup>3</sup> / <sub>4</sub>	67	33	79	8,08	60
S80PD-LBP	18-Rp <sup>1</sup> / <sub>2</sub>	51	18	53	8,19	100
S80QD-LBP	18-Rp <sup>3</sup> / <sub>4</sub>	57	23	78	8,54	100
S80PE-LBP	22-Rp <sup>1</sup> / <sub>2</sub>	52	17	78	8,74	100
S80QE-LBP	22-Rp <sup>3</sup> / <sub>4</sub>	56	20	79	10,28	100
S80RE-LBP	22-Rp1	70	31	108	11,71	80
S80QF-LBP	28-Rp <sup>3</sup> / <sub>4</sub>	73	36	105	11,14	80
S80RF-LBP	28-Rp1	62	22	105	15,97	80
S80SF-LBP	28-Rp1 <sup>1</sup> / <sub>4</sub>	80	39	188	17,71	50
S80RG-LBP	35-Rp1	81	38	134	15,29	50
S80SG-LBP	35-Rp1 <sup>1</sup> / <sub>4</sub>	72	28	174	17,47	50
S80TG-LBP	35-Rp1 <sup>1</sup> / <sub>2</sub>	83	39	264	19,90	50
S80SH-LBP	42-Rp1 <sup>1</sup> / <sub>4</sub>	94	45	220	23,93	20
S80TH-LBP	42-Rp1 <sup>1</sup> / <sub>2</sub>	74	25	274	26,90	30
S80TJ-LBP	54-Rp1 <sup>1</sup> / <sub>2</sub>	106	52	396	29,53	20
S80VJ-LBP	54-Rp2	84	25	352	40,22	20

**MANICOTTO MISTO - FIL. MASCHIO**



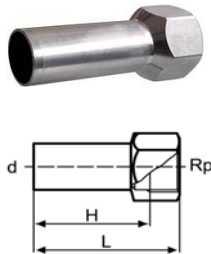
Codice	d - R	L	Z	peso in grammi	€	lotto minimo
S81NB-LBP	12-R <sup>3</sup> / <sub>8</sub>	56	38	49	9,05	100
S81PB-LBP	12-R <sup>1</sup> / <sub>2</sub>	52	34	56	9,13	100
S81NC-LBP	15-R <sup>3</sup> / <sub>8</sub>	50	29	47	7,21	100
S81PC-LBP	15-R <sup>1</sup> / <sub>2</sub>	52	31	53	7,91	100
S81QC-LBP	15-R <sup>3</sup> / <sub>4</sub>	64	43	70	8,05	50
S81PD-LBP	18-R <sup>1</sup> / <sub>2</sub>	52	31	57	7,92	100
S81QD-LBP	18-R <sup>3</sup> / <sub>4</sub>	54	33	67	7,86	50
S81PE-LBP	22-R <sup>1</sup> / <sub>2</sub>	68	45	73	8,54	100
S81QE-LBP	22-R <sup>3</sup> / <sub>4</sub>	58	35	75	8,97	100
S81RE-LBP	22-R1	72	49	120	11,24	100
S81QF-LBP	28-R <sup>3</sup> / <sub>4</sub>	73	49	102	10,94	80
S81RF-LBP	28-R1	62	38	118	11,36	100
S81SF-LBP	28-R1 <sup>1</sup> / <sub>4</sub>	79	55	172	16,03	50
S81RG-LBP	35-R1	82	55	150	14,44	50
S81SG-LBP	35-R1 <sup>1</sup> / <sub>4</sub>	70	43	170	16,65	50
S81TG-LBP	35-R1 <sup>1</sup> / <sub>2</sub>	84	57	204	19,24	30
S81SH-LBP	42-R1 <sup>1</sup> / <sub>4</sub>	93	61	216	21,86	20
S81TH-LBP	42-R1 <sup>1</sup> / <sub>2</sub>	75	43	204	24,27	20
S81TJ-LBP	54-R1 <sup>1</sup> / <sub>2</sub>	105	68	284	30,62	20
S81VJ-LBP	54-R2	87	50	372	32,59	20
S81XK	76,1-R 2 <sup>1</sup> / <sub>2</sub>	125	70	804	151,26	5
S81YL	88,9-R 3	138	75	1.172	226,95	5

**CODOLO - FIL. MASCHIO**



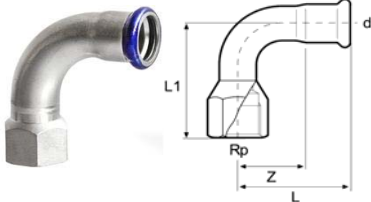
Codice	d - R	L	peso in grammi	€	lotto minimo
S87PC	15-R $\frac{1}{2}$	70	48	6,79	100
S87PD	18-R $\frac{1}{2}$	70	48	7,46	100
S87QE	22-R $\frac{3}{4}$	75	76	8,46	100
S87RF	28-R1	75	110	10,80	80
S87SG	35-R1 $\frac{1}{4}$	80	173	16,14	80
S87TH	42-R1 $\frac{1}{2}$	91	212	23,71	50
S87VJ	54-R2	102	388	31,94	50

**CODOLO - FIL. FEMMINA**



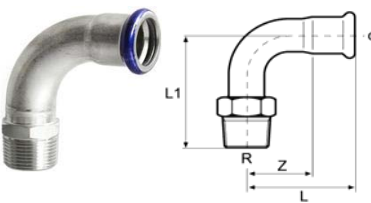
Codice	d - Rp	H	L	peso in grammi	€	lotto minimo
S86PC	15-Rp $\frac{1}{2}$	136	148	72	7,23	100
S86PD	18-Rp $\frac{1}{2}$	136	148	82	7,68	100
S86QD	18-Rp $\frac{3}{4}$	135	148	106	9,46	100
S86PE	22-Rp $\frac{1}{2}$	140	152	132	8,79	100
S86QE	22-Rp $\frac{3}{4}$	139	152	120	9,79	100
S86RF	28-Rp1	94	110	126	15,47	80
S86SG	35-Rp1 $\frac{1}{4}$	93	110	220	16,92	80
S86TH	42-Rp1 $\frac{1}{2}$	93	110	294	26,38	50
S86VJ	54-Rp2	98	120	402	39,62	50

**ADATTATORE 90° - FIL. FEMMINA**



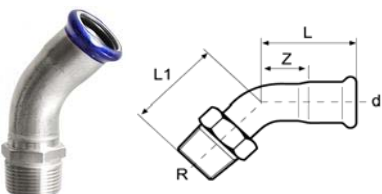
Codice	d - Rp	L	L1	Z	peso in grammi	€	lotto minimo
S82PC-LBP	15-Rp $\frac{1}{2}$	48	58	27	76	12,47	20
S82PD-LBP	18-Rp $\frac{1}{2}$	53	59	32	86	14,36	20
S82QE-LBP	22-Rp $\frac{3}{4}$	60	68	37	124	14,99	20
S82RF-LBP	28-Rp1	71	81	47	176	19,71	20
S82SG-LBP	35-Rp1 $\frac{1}{4}$	87	95	60	284	26,42	15

**ADATTATORE 90° - FIL. MASCHIO**



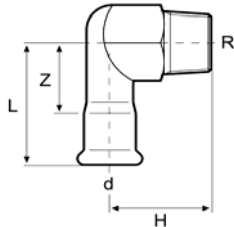
Codice	d - R	L	L1	Z	peso in grammi	€	lotto minimo
S83PC-LBP	15-R $\frac{1}{2}$	48	58	27	78	12,69	20
S83PD-LBP	18-R $\frac{1}{2}$	53	61	32	86	13,19	20
S83QE-LBP	22-R $\frac{3}{4}$	60	69	37	124	16,47	20
S83RF-LBP	28-R1	71	81	47	188	19,46	20
S83SG-LBP	35-R1 $\frac{1}{4}$	87	94	60	276	24,79	15
S83TH-LBP	42-R1 $\frac{1}{2}$	115	116	83	390	38,49	15
S83VJ-LBP	54-R2	142	143	105	680	50,21	15

**ADATTATORE 45° - FIL. MASCHIO**



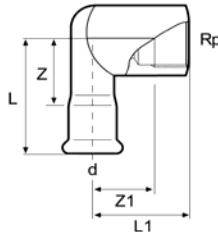
Codice	d - R	L	L1	Z	peso in grammi	€	lotto minimo
S85PC-LBP	15-R $\frac{1}{2}$	37	38	16	65	13,26	20
S85PD-LBP	18-R $\frac{1}{2}$	38	46	17	71	13,75	20
S85QE-LBP	22-R $\frac{3}{4}$	44	51	21	100	17,06	20

**GOMITO MISTO - FIL. MASCHIO**



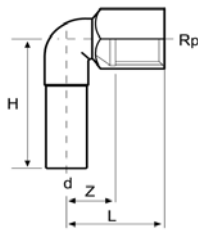
Codice	d - R	L	H	Z	peso in grammi	€	lotto minimo
S31PC-LBP	15-R $\frac{1}{2}$	53	36	32	90	9,58	80
S31QC-LBP	15-R $\frac{3}{4}$	62	38	41	140	11,91	50
S31PD-LBP	18-R $\frac{1}{2}$	51	36	30	103	10,06	50
S31QD-LBP	18-R $\frac{3}{4}$	67	37	46	148	12,45	30
S31QE-LBP	22-R $\frac{3}{4}$	58	40	35	145	12,90	50
S31RF-LBP	28-R1	63	44	39	248	17,01	50
S31SG-LBP	35-R1 $\frac{1}{4}$	71	48	44	354	25,60	30
S31TH-LBP	42-R1 $\frac{1}{2}$	81	53	49	432	44,44	15
S31VJ-LBP	54-R2	92	59	55	720	56,38	15

**GOMITO MISTO - FIL. FEMMINA**



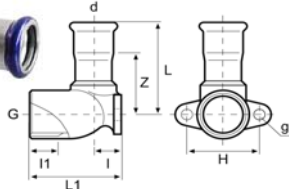
Codice	d - Rp	L	L1	Z	Z1	peso in grammi	€	lotto minimo
S30PC-LBP	15-Rp $\frac{1}{2}$	53	36	32	24	119	10,95	80
S30PD-LBP	18-Rp $\frac{1}{2}$	52	39	31	27	122	11,74	60
S30QE-LBP	22-Rp $\frac{3}{4}$	57	46	34	33	184	14,36	50
S30RF-LBP	28-Rp1	71	54	47	38	340	20,69	50
S30SG-LBP	35-Rp1 $\frac{1}{4}$	72	62	45	45	492	29,27	30

**GOMITO MISTO 90° MF**



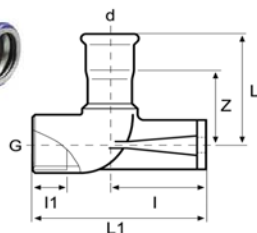
Codice	d - Rp	L	H	Z	peso in grammi	€	lotto minimo
S34PC	15-Rp $\frac{1}{2}$	35	53	23	72	16,36	50

**GOMITO MISTO CON FLANGIA**



Codice	d - G (ISO 228)	L	L1	Z	I	I1	H	g	peso in grammi	€	lotto minimo
S32PC-LBP	15-G $\frac{1}{2}$	46	43	25	12	12	34	5	102	12,53	80
S32PD-LBP	18-G $\frac{1}{2}$	47	44	26	13	12	34	6	99	12,71	60
S32QE-LBP	22-G $\frac{3}{4}$	52	51	29	16	13	40	6	153	18,23	60

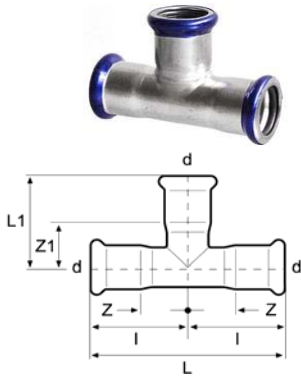
**GOMITO MISTO CON FLANGIA LUNGA**



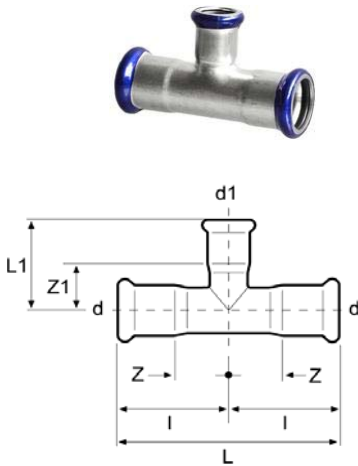
Codice	d - G (ISO 228)	L	I	L1	Z	I1	peso in grammi	€	lotto minimo
S33PC-LBP	15-G $\frac{1}{2}$	46	36	65	25	12	156	15,89	50
S33PD-LBP	18-G $\frac{1}{2}$	47	36	65	26	12	146	16,25	50
S33QE-LBP	22-G $\frac{3}{4}$	52	32	65	29	13	178	19,87	50



TEE



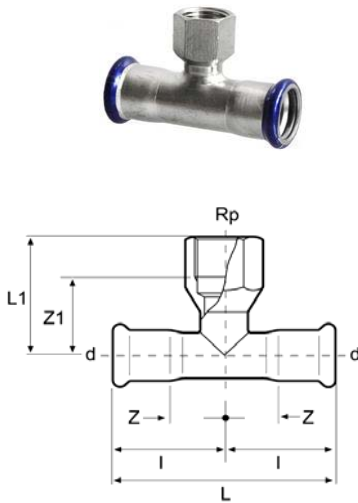
TEE RIDOTTO



Codice	d	L	L1	Z	Z1	I	peso in grammi	€	lotto minimo
S40AB-LBP	12	56	33	10	15	28	45	11,09	100
S40AC-LBP	15	74	35	16	14	37	71	9,24	100
S40AD-LBP	18	80	35	19	14	40	84	9,51	100
S40AE-LBP	22	82	40	18	17	41	110	10,89	100
S40AF-LBP	28	92	45	22	21	46	146	12,77	80
S40AG-LBP	35	102	55	24	28	51	193	17,36	50
S40AH-LBP	42	118	61	27	29	59	278	24,26	20
S40AJ-LBP	54	142	72	34	35	71	406	28,35	20
S40AK	76,1	232	115	61	60	116	1.170	153,42	5
S40AL	88,9	262	127	68	64	131	1.556	167,86	5
S40AM	108	312	155	79	78	156	2.276	207,15	5

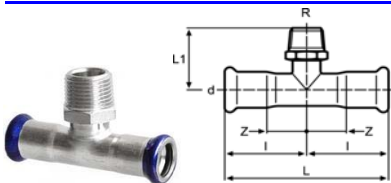
Codice	d - d1 - d	L	L1	Z	Z1	I	peso in grammi	€	lotto minimo
S41BC-LBP	15-12-15	74	34	16	16	37	66	12,41	100
S41BD-LBP	18-12-18	80	36	19	18	40	75	12,81	100
S41CD-LBP	18-15-18	80	36	19	15	40	84	10,80	100
S41BE-LBP	22-12-22	82	38	18	20	41	94	13,23	100
S41CE-LBP	22-15-22	82	39	18	18	41	100	10,46	100
S41DE-LBP	22-18-22	82	38	18	17	41	104	10,80	100
S41CF-LBP	28-15-28	92	42	22	21	46	132	10,77	80
S41DF-LBP	28-18-28	92	42	22	21	46	134	11,46	80
S41EF-LBP	28-22-28	92	45	22	22	46	140	12,08	80
S41CG-LBP	35-15-35	102	45	24	24	51	160	13,69	50
S41DG-LBP	35-18-35	102	45	24	24	51	164	13,82	50
S41EG-LBP	35-22-35	102	46	24	23	51	173	14,50	50
S41FG-LBP	35-28-35	102	48	24	24	51	176	15,15	50
S41CH-LBP	42-15-42	118	48	27	27	59	226	18,81	20
S41DH-LBP	42-18-42	118	48	27	27	59	228	19,59	20
S41EH-LBP	42-22-42	118	51	27	28	59	232	20,26	30
S41FH-LBP	42-28-42	118	53	27	29	59	241	20,75	30
S41GH-LBP	42-35-42	118	60	27	33	59	250	22,15	30
S41CJ-LBP	54-15-54	142	56	34	35	71	322	23,06	15
S41DJ-LBP	54-18-54	142	55	34	34	71	336	23,37	15
S41EJ-LBP	54-22-54	142	57	34	34	71	334	23,91	20
S41FJ-LBP	54-28-54	142	60	34	36	71	348	24,35	15
S41GJ-LBP	54-35-54	142	66	34	39	71	356	25,02	15
S41HJ-LBP	54-42-54	142	64	34	32	71	378	25,74	15
S41EK-LBP	76,1-22-76,1	232	68	61	45	116	936	115,40	5
S41FK-LBP	76,1-28-76,1	232	71	61	47	116	948	124,56	5
S41GK-LBP	76,1-35-76,1	232	75	61	48	116	962	133,74	5
S41HK-LBP	76,1-42-76,1	232	79	61	47	116	987	144,24	5
S41JK-LBP	76,1-54-76,1	232	80	61	43	116	996	153,42	5
S41EL-LBP	88,9-22-88,9	262	76	68	53	131	1.238	121,98	5
S41FL-LBP	88,9-28-88,9	262	76	68	52	131	1.182	131,11	5
S41GL-LBP	88,9-35-88,9	262	83	68	56	131	1.250	140,27	5
S41HL-LBP	88,9-42-88,9	262	85	68	53	131	1.266	150,79	5
S41JL-LBP	88,9-54-88,9	262	93	68	56	131	1.290	157,34	5
S41KL	88,9-76,1-88,9	262	116	68	61	131	1.144	167,86	5
S41EM-LBP	108-22-108	312	85	79	62	156	1.792	129,80	5
S41FM-LBP	108-28-108	312	88	79	64	156	1.798	137,65	5
S41GM-LBP	108-35-108	312	94	79	67	156	1.822	150,79	5
S41HM-LBP	108-42-108	312	96	79	64	156	1.820	157,34	5
S41JM-LBP	108-54-108	312	102	79	65	156	1.852	170,48	5
S41KM	108-76,1-108	312	125	79	70	156	2.014	179,63	5
S41LM	108-88,9-108	312	135	79	72	156	2.126	205,90	5

**ADATTATORE TEE - FIL. FEMMINA**



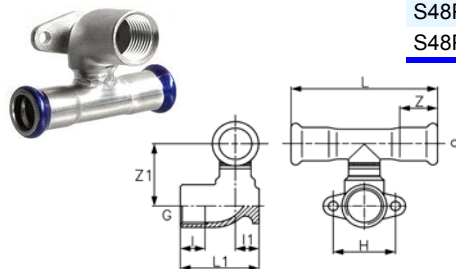
Codice	d - Rp	L	L1	Z	Z1	I	peso in grammi	€	lotto minimo
S42NB-LBP	12-Rp $\frac{3}{4}$ -12	56	34	10	19	28	77	13,49	100
S42PC-LBP	15-Rp $\frac{1}{2}$ -15	74	37	16	25	37	84	11,24	100
S42PD-LBP	18-Rp $\frac{1}{2}$ -18	80	39	19	27	40	99	11,69	80
S42QD-LBP	18-Rp $\frac{3}{4}$ -18	80	43	19	30	40	118	12,13	50
S42PE-LBP	22-Rp $\frac{1}{2}$ -22	82	41	18	29	41	118	12,13	100
S42QE-LBP	22-Rp $\frac{3}{4}$ -22	82	41	18	28	41	130	13,24	80
S42PF-LBP	28-Rp $\frac{1}{2}$ -28	92	44	22	32	46	146	13,91	80
S42QF-LBP	28-Rp $\frac{3}{4}$ -28	92	45	22	32	46	160	14,36	50
S42RF-LBP	28-Rp1-28	92	48	22	32	46	174	17,31	30
S42PG-LBP	35-Rp $\frac{1}{2}$ -35	102	48	24	36	51	176	16,03	50
S42QG-LBP	35-Rp $\frac{3}{4}$ -35	102	48	24	35	51	194	18,03	50
S42SG-LBP	35-Rp1 $\frac{1}{4}$ -35	102	57	24	40	51	272	22,04	20
S42PH-LBP	42-Rp $\frac{1}{2}$ -42	118	46	27	34	59	249	19,48	20
S42QH-LBP	42-Rp $\frac{3}{4}$ -42	118	52	27	39	59	255	23,93	20
S42TH-LBP	42-Rp1 $\frac{1}{2}$ -42	118	59	27	42	59	384	25,04	20
S42PJ-LBP	54-Rp $\frac{1}{2}$ -54	142	55	34	43	71	350	22,04	15
S42QJ-LBP	54-Rp $\frac{3}{4}$ -54	142	58	34	45	71	360	27,27	15
S42VJ-LBP	54-Rp2-54	142	69	34	47	71	548	42,38	15
S42QK	76,1-Rp $\frac{3}{4}$ -76,1	232	68	61	55	116	1.258	125,55	5
S42VK	76,1-Rp2-76,1	232	81	61	59	116	1.144	138,80	5
S42QL	88,9-Rp $\frac{3}{4}$ -88,9	262	87	68	74	131	1.254	136,43	5
S42VL	88,9-Rp2-88,9	262	88	68	66	131	1.438	144,88	5
S42QM	108-Rp $\frac{3}{4}$ -108	312	86	79	73	156	1.812	164,15	5
S42VM	108-Rp2-108	312	98	79	76	156	1.992	175,05	5

**ADATTATORE TEE - FIL. MASCHIO**



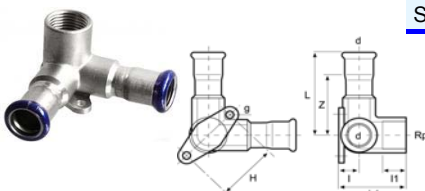
Codice	d - R	L	L1	Z	Z1	I	peso in grammi	€	lotto minimo
S43PC-LBP	15-R $\frac{1}{2}$ -15	74	38	16	15	37	86	11,24	100
S43PD-LBP	18-R $\frac{1}{2}$ -18	80	40	19	15	40	94	11,69	100
S43QE-LBP	22-R $\frac{3}{4}$ -22	82	43	18	17	41	126	13,24	100
S43RF-LBP	28-R1-28	92	50	22	21	46	188	17,31	80
S43SG-LBP	35-R1 $\frac{1}{4}$ -35	102	56	24	28	51	258	22,04	50

**TEE DISASSATO**



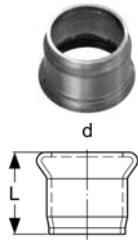
Codice	d - G (ISO 228)	L	L1	Z	Z1	H	I	I1	peso in grammi	€	lotto minimo
S48PC-LBP	15-G $\frac{1}{2}$	74	43	21	31	34	12	13	135	18,36	100
S48PD-LBP	18-G $\frac{1}{2}$	80	43	21	33	34	12	13	140	18,81	100

**TRIVIO 90° FIL. FEMMINA CON FLANGIA**



Codice	d - Rp	L	L1	I	I1	Z	H	g	peso in grammi	€	lotto minimo
S36PC-LBP	15-Rp $\frac{1}{2}$	56	44	15	12	35	39	5	166	23,26	50

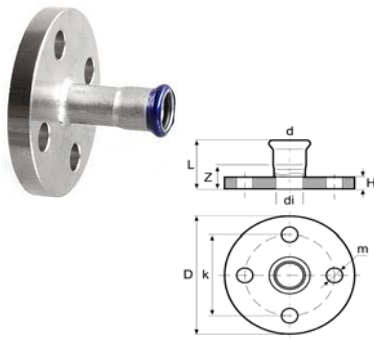
**MEZZO MANICOTTO A SALDARE**



Per conoscere le condizioni di impiego di questo componente siete pregati di contattare il nostro ufficio tecnico

Codice	d	L	peso in grammi	€	lotto minimo
S17AC-LBP	15	25	18	2,78	200
S17AD-LBP	18	25	22	2,95	200
S17AE-LBP	22	27	30	3,56	200
S17AF-LBP	28	30	39	4,29	150
S17AG-LBP	35	34	52	4,95	150
S17AH-LBP	42	38	72	6,46	100
S17AJ-LBP	54	44	102	8,12	100
S17AK	76	68	279	32,83	50
S17AL	89	78	392	38,40	50
S17AM	108	94	550	48,97	50

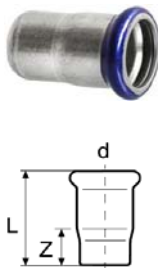
**FLANGIA CON BICCHIERE PN16**



Codice	d	D	di	L	H	m	k	Z	peso in grammi	€	lotto minimo
S52AC-LBP	15	95	14	59	11	14	65	33	572	34,50	20
S52AD-LBP	18	95	17	57	11	14	65	39	616	35,62	20
S52AE-LBP	22	105	21	59	12	14	75	39	792	47,86	20
S52AF-LBP	28	115	27	65	14	14	85	47	1.122	56,76	20
S52AG-LBP	35	140	32	70	15	18	100	52	1.770	86,26	20
S52AH-LBP	42	150	39	77	16	18	110	59	2.090	101,28	15
S52AJ-LBP	54	165	51	86	18	18	125	75	2.838	129,11	15
S52AK	76,1	185	72	126	18	18	145	71	3.637	170,29	5
S52AL	88,9	200	85	147	20	18	160	84	4.405	205,91	5
S52AM	108	220	104	167	20	18	180	90	5.360	244,86	5

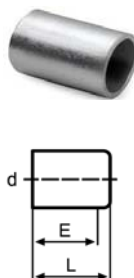
I diametri 88,9 e 108 (PN 10/16) hanno 8 fori

**TAPPO**



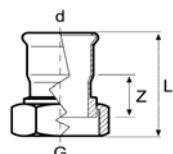
Codice	d	L	Z	peso in grammi	€	lotto minimo
S50AC-LBP	15	37	16	28	5,29	100
S50AD-LBP	18	40	19	34	5,53	50
S50AE-LBP	22	41	18	45	6,02	50
S50AF-LBP	28	46	22	62	7,98	50
S50AG-LBP	35	51	24	78	8,96	50
S50AH-LBP	42	59	27	116	12,52	20
S50AJ-LBP	54	72	35	176	14,48	20
S50AK	76,1	95	40	412	34,50	5
S50AL	88,9	107	44	544	45,63	5
S50AM	108	127	50	813	56,76	5

**TAPPO MASCHIO**



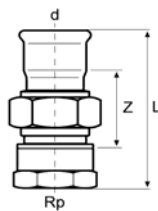
Codice	d	E	L	peso in grammi	€	lotto minimo
S51AC	15	33	42	16	4,67	100
S51AD	18	33	40	18	4,79	50
S51AE	22	34	43	30	5,34	50
S51AF	28	36	47	42	7,01	50
S51AG	35	40	49	70	7,90	50
S51AH	42	44	55	96	11,69	20
S51AJ	54	49	62	144	13,24	20
S51AK	76,1	65	75	328	22,15	5
S51AL	88,9	72	90	480	27,60	5
S51AM	108	87	103	648	34,28	5

**GIRELLA CON DADO IN OTTONE O  
ACCIAIO INOX E GUARNIZIONE  
PIATTA IN EPDM**



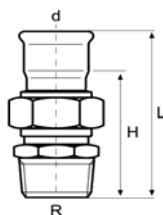
Codice	G - d (ISO 228)	dado	L	Z	peso in grammi	€	lotto minimo
S60QC-LBP	G <sup>3</sup> / <sub>4</sub> -15	OTTONE	50	22	90	10,35	50
S60SC-LBP	G1 <sup>1</sup> / <sub>4</sub> -15	OTTONE	52	20	190	21,04	15
S60QD-LBP	G <sup>3</sup> / <sub>4</sub> -18	OTTONE	36	8	74	10,35	50
S60RE-LBP	G1-22	OTTONE	39	7	94	15,76	50
S60SF-LBP	G1 <sup>1</sup> / <sub>4</sub> -28	OTTONE	44	10	168	18,25	50
S60TF-LBP	G1 <sup>1</sup> / <sub>2</sub> -28	OTTONE	73	38	170	20,27	50
S60TG-LBP	G1 <sup>1</sup> / <sub>2</sub> -35	OTTONE	48	11	260	20,79	20
S60UH-LBP	G1 <sup>3</sup> / <sub>4</sub> -42	OTTONE	53	9	292	27,67	20
S60WJ-LBP	G2 <sup>3</sup> / <sub>8</sub> -54	OTTONE	61	10	454	36,98	20
S61QC-LBP	G <sup>3</sup> / <sub>4</sub> -15	INOX	51	22	90	20,16	50
S61SC-LBP	G1 <sup>1</sup> / <sub>4</sub> -15	INOX	52	20	90	40,64	15
S61QD-LBP	G <sup>3</sup> / <sub>4</sub> -18	INOX	38	8	70	21,29	50
S61RE-LBP	G1-22	INOX	39	7	94	26,04	50
S61SF-LBP	G1 <sup>1</sup> / <sub>4</sub> -28	INOX	44	10	152	41,69	50
S61TF-LBP	G1 <sup>1</sup> / <sub>2</sub> -28	INOX	73	38	154	42,53	50
S61TG-LBP	G1 <sup>1</sup> / <sub>2</sub> -35	INOX	48	11	250	45,78	20
S61UH-LBP	G1 <sup>3</sup> / <sub>4</sub> -42	INOX	53	9	258	55,23	20
S61WJ-LBP	G2 <sup>3</sup> / <sub>8</sub> -54	INOX	61	10	404	71,19	20

**GIRELLA CON DADO IN OTTONE O  
ACCIAIO INOX E RACCORDO FEMMINA  
E GUARNIZIONE PIATTA IN EPDM**



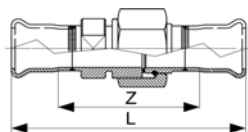
Codice	d - R	dado	L	Z	peso in grammi	€	lotto minimo
S62PC-LBP	15-Rp <sup>1</sup> / <sub>2</sub>	OTTONE	73	41	140	14,20	15
S62QC-LBP	15-Rp <sup>3</sup> / <sub>4</sub>	OTTONE	76	43	180	15,78	15
S62PD-LBP	18-Rp <sup>1</sup> / <sub>2</sub>	OTTONE	59	27	120	17,12	15
S62QD-LBP	18-Rp <sup>3</sup> / <sub>4</sub>	OTTONE	62	29	160	17,65	15
S62QE-LBP	22-Rp <sup>3</sup> / <sub>4</sub>	OTTONE	63	28	184	18,93	15
S62RE-LBP	22-Rp1	OTTONE	67	30	214	22,67	15
S62RF-LBP	28-Rp1	OTTONE	71	33	376	24,60	15
S62SG-LBP	35-Rp1 <sup>1</sup> / <sub>4</sub>	OTTONE	77	34	470	30,80	15
S62TH-LBP	42-Rp1 <sup>1</sup> / <sub>2</sub>	OTTONE	82	39	516	37,99	15
S62VJ-LBP	54-Rp2	OTTONE	94	36	948	71,88	15
S63PC-LBP	15-Rp <sup>1</sup> / <sub>2</sub>	INOX	73	41	142	25,20	15
S63QC-LBP	15-Rp <sup>3</sup> / <sub>4</sub>	INOX	76	43	182	25,31	15
S63PD-LBP	18-Rp <sup>1</sup> / <sub>2</sub>	INOX	59	27	126	29,09	15
S63QD-LBP	18-Rp <sup>3</sup> / <sub>4</sub>	INOX	62	29	162	27,00	15
S63QE-LBP	22-Rp <sup>3</sup> / <sub>4</sub>	INOX	63	28	186	29,93	15
S63RE-LBP	22-Rp1	INOX	67	30	216	35,07	15
S63RF-LBP	28-Rp1	INOX	71	33	356	48,51	15
S63SG-LBP	35-Rp1 <sup>1</sup> / <sub>4</sub>	INOX	77	34	462	59,01	15
S63TH-LBP	42-Rp1 <sup>1</sup> / <sub>2</sub>	INOX	82	39	484	70,04	15
S63VJ-LBP	54-Rp2	INOX	94	36	898	112,88	15

**GIRELLA CON DADO IN OTTONE O ACCIAIO INOX E RACCORDO MASCHIO E GUARNIZIONE PIATTA IN EPDM**



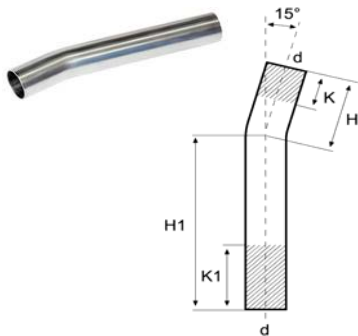
Codice	G - d (ISO 228)	dado	L	Z	peso in grammi	€	lotto minimo
S64PC-LBP	15-R $\frac{1}{2}$	OTTONE	77	56	150	14,44	15
S64QC-LBP	15-R $\frac{3}{4}$	OTTONE	80	59	168	15,25	15
S64PD-LBP	18-R $\frac{1}{2}$	OTTONE	63	42	129	15,89	15
S64QD-LBP	18-R $\frac{3}{4}$	OTTONE	66	45	149	16,13	15
S64PE-LBP	22-R $\frac{1}{2}$	OTTONE	67	44	225	19,40	15
S64QE-LBP	22-R $\frac{3}{4}$	OTTONE	69	46	195	16,95	15
S64RE-LBP	22-R1	OTTONE	73	50	237	23,84	15
S64RF-LBP	28-R1	OTTONE	78	54	366	28,46	15
S64SG-LBP	35-R1 $\frac{1}{4}$	OTTONE	85	59	495	36,28	15
S64TH-LBP	42-R1 $\frac{1}{2}$	OTTONE	90	58	578	45,63	15
S64VJ-LBP	54-R2	OTTONE	103	66	988	72,51	15
S65PC-LBP	15-R $\frac{1}{2}$	INOX	77	56	148	25,73	15
S65QC-LBP	15-R $\frac{3}{4}$	INOX	80	59	168	25,83	15
S65PD-LBP	18-R $\frac{1}{2}$	INOX	63	42	128	29,19	15
S65QD-LBP	18-R $\frac{3}{4}$	INOX	66	45	148	27,09	15
S65PE-LBP	22-R $\frac{1}{2}$	INOX	67	44	218	33,08	15
S65QE-LBP	22-R $\frac{3}{4}$	INOX	69	46	194	30,03	15
S65RE-LBP	22-R1	INOX	73	50	232	36,23	15
S65RF-LBP	28-R1	INOX	78	54	350	49,98	15
S65SG-LBP	35-R1 $\frac{1}{4}$	INOX	85	59	482	60,38	15
S65TH-LBP	42-R1 $\frac{1}{2}$	INOX	90	58	588	71,82	15
S65VJ-LBP	54-R2	INOX	103	66	936	115,50	15

**DOPPIO RACCORDO CON DADO IN OTTONE O ACCIAIO INOX E GUARNIZIONE PIATTA IN EPDM**



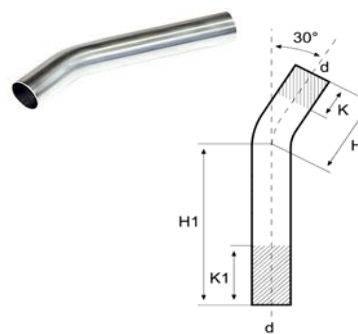
Codice	d - R	dado	L	Z	peso in grammi	€	lotto minimo
S66QC-LBP	G $\frac{3}{4}$ -15	OTTONE	100	55	174	21,15	15
S66QD-LBP	G $\frac{3}{4}$ -18	OTTONE	85	55	152	25,60	15
S66RE-LBP	G1-22	OTTONE	94	59	212	28,94	15
S66SF-LBP	G1 $\frac{1}{4}$ -28	OTTONE	101	63	358	42,85	15
S66TG-LBP	G1 $\frac{1}{2}$ -35	OTTONE	109	70	532	46,75	15
S66UH-LBP	G1 $\frac{3}{4}$ -42	OTTONE	119	70	606	60,10	15
S66WJ-LBP	G2 $\frac{3}{8}$ -54	OTTONE	129	70	948	94,61	15
S68QC-LBP	G $\frac{3}{4}$ -15	INOX	100	55	172	36,91	15
S68QD-LBP	G $\frac{3}{4}$ -18	INOX	85	55	146	36,02	15
S68RE-LBP	G1-22	INOX	94	59	214	39,48	15
S68SF-LBP	G1 $\frac{1}{4}$ -28	INOX	101	63	340	53,00	15
S68TG-LBP	G1 $\frac{1}{2}$ -35	INOX	109	70	524	78,54	15
S68UH-LBP	G1 $\frac{3}{4}$ -42	INOX	119	70	574	99,23	15
S68WJ-LBP	G2 $\frac{3}{8}$ -54	INOX	129	70	898	130,73	15

**TUBO CURVO 15°**



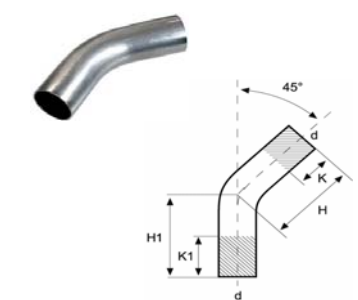
Codice	d	H1	H	K	K1	peso in grammi	€	lotto minimo
S75AC	15	122	60	21	83	60	8,57	30
S75AD	18	128	55	15	88	74	8,68	30
S75AE	22	124	50	7	81	134	9,35	30
S75AF	28	136	45	7	47	178	10,24	20
S75AG	35	234	62	30	110	378	15,80	15
S75AH	42	276	94	44	144	542	23,60	10
S75AJ	54	337	117	65	165	884	30,16	10
S75AK	76,1	230	226	65	65	1.580	75,13	5
S75AL	88,9	260	240	80	80	1.954	87,04	5
S75AM	108	291	222	95	95	2.516	109,30	5

**TUBO CURVO 30°**



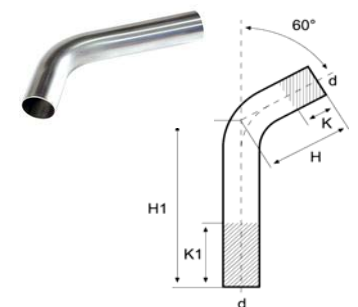
Codice	d	H1	H	K	K1	peso in grammi	€	lotto minimo
S74AC	15	122	60	21	83	57	9,02	30
S74AD	18	128	55	16	89	74	9,13	30
S74AE	22	124	50	6	80	134	9,79	30
S74AF	28	130	54	7	47	258	11,58	20
S74AG	35	218	80	30	110	376	17,36	15
S74AH	42	274	98	44	144	558	25,04	10
S74AJ	54	324	137	65	165	912	31,72	10
S74AK	76,1	200	202	66	66	1.350	77,24	5
S74AL	88,9	262	264	80	80	2.110	90,38	5
S74AM	108	259	272	95	95	2.622	116,42	5

**TUBO CURVO 45°**



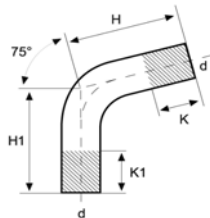
Codice	d	H1	H	K	K1	peso in grammi	€	lotto minimo
S73AC	15	120	62	19	77	62	9,35	30
S73AD	18	124	58	16	82	73	9,57	30
S73AE	22	120	56	7	71	132	10,24	30
S73AF	28	122	58	2	66	160	12,91	20
S73AG	35	206	94	20	132	375	19,03	15
S73AH	42	262	114	1	149	562	26,93	10
S73AJ	54	321	146	37	212	906	33,72	10
S73AK	76,1	225	225	69	69	1.618	79,58	5
S73AL	88,9	267	267	103	103	2.078	92,82	5
S73AM	108	293	293	66	66	2.988	120,87	5

**TUBO CURVO 60°**



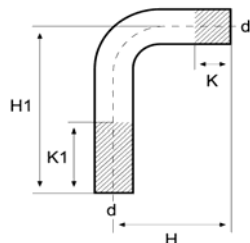
Codice	d	H1	H	K	K1	peso in grammi	€	lotto minimo
S72AC	15	122	60	21	83	60	9,79	30
S72AD	18	122	62	16	76	70	10,24	30
S72AE	22	118	60	5	63	130	10,91	30
S72AF	28	116	71	7	47	178	14,25	20
S72AG	35	226	101	30	110	406	20,70	15
S72AH	42	251	124	44	145	562	28,72	10
S72AJ	54	308	162	65	165	884	35,06	10
S72AK	76,1	219	223	70	70	1.476	81,81	5
S72AL	88,9	250	257	80	80	1.970	96,27	5
S72AM	108	288	298	95	95	2.844	124,99	5

**TUBO CURVO 75°**



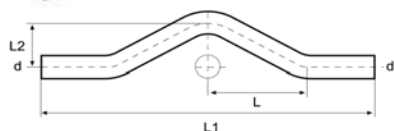
Codice	d	H1	H	K	K1	peso in grammi	€	lotto minimo
S71AC	15	117	66	22	73	58	10,24	30
S71AD	18	120	65	17	72	70	10,91	30
S71AE	22	118	64	9	63	130	12,02	30
S71AF	28	114	71	7	50	186	15,80	20
S71AG	35	200	110	26	119	378	21,37	15
S71AH	42	251	137	44	158	556	30,61	10
S71AJ	54	305	178	60	187	893	37,29	10
S71AK	76,1	240	240	62	62	1.556	88,15	5
S71AL	88,9	280	280	90	90	2.130	103,29	5
S71AM	108	330	330	45	45	3.360	129,55	5

**TUBO CURVO 90°**



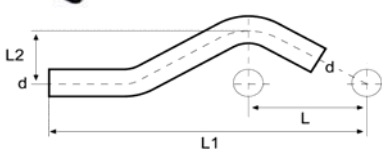
Codice	d	H1	H	K	K1	peso in grammi	€	lotto minimo
S70AB	12	100	50	10	30	68	7,10	50
S70AC	15	120	70	22	72	54	6,46	40
S70AD	18	120	70	17	67	72	6,57	40
S70AE	22	120	70	9	59	128	6,90	20
S70AF	28	125	97	7	47	204	8,96	20
S70AG	35	200	120	30	110	362	14,91	10
S70AH	42	250	160	44	144	568	18,81	10
S70AJ	54	305	200	65	165	908	26,66	10
S70AK	76,1	250	250	62	62	1.668	81,25	5
S70AL	88,9	291	291	90	90	2.022	96,83	5
S70AM	108	364	364	45	45	3.200	125,21	5

**SCAVALCAMENTO**



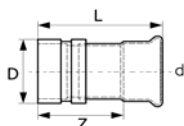
Codice	d	L1	L2	L	peso in grammi	€	lotto minimo
S76AC	15	202	38	65	76	8,12	15
S76AD	18	236	43	68	104	8,57	15
S76AE	22	233	40	68	202	10,13	10
S76AF	28	303	64	93	350	12,24	10

**SCAVALCAMENTO CORTO**



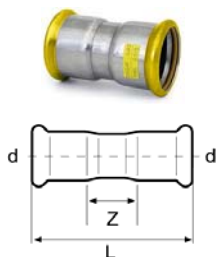
Codice	d	L1	L2	L	peso in grammi	€	lotto minimo
S77AB	12	150	32	50	59	7,22	10
S77AC	15	145	37	57	56	6,57	10
S77AD	18	165	38	56	68	6,90	10
S77AE	22	181	40	60	150	8,12	10
S77AF	28	241	55	83	253	9,35	10

**RACCORDO DI TRANSIZIONE PER GROOVE FITTINGS**



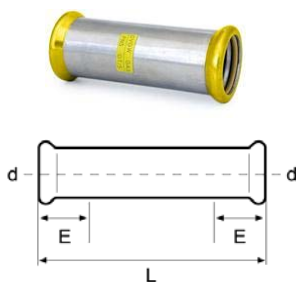
Codice	d - D	L	Z	peso in grammi	€	lotto minimo
S96EF-LBP	28x33,7	87	63	171	40,58	30
S96SG-LBP	35x42,4	95	68	239	51,12	20
S96TH-LBP	42x48,3	106	74	298	58,76	20
S96VJ-LBP	54x60,3	99	62	397	76,94	20
S96KK	76,1x76,1	130	95	986	112,5	10
S96LL	88,9x88,9	166	103	1230	175,6	10
S96ZM	108x114,4	184	107	1393	197,63	10

**MANICOTTO**



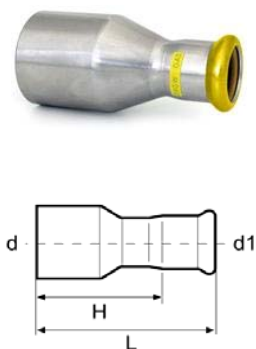
Codice	d	L	Z	peso in grammi	€	lotto minimo
G10AC	15	52	10	40	4,03	100
G10AD	18	52	10	46	4,33	100
G10AE	22	59	13	62	5,24	100
G10AF	28	61	13	78	6,27	100
G10AG	35	72	18	107	7,27	60
G10AH	42	79	15	148	9,43	30
G10AJ	54	90	16	210	11,91	30
G10AK	76,1	142	32	594	60,58	5
G10AL	88,9	163	37	792	69,23	5
G10AM	108	192	38	1.144	88,00	5

**MANICOTTO PASSANTE**



Codice	d	L	E	peso in grammi	€	lotto minimo
G11AC	15	71	24	52	6,63	100
G11AD	18	77	25	63	6,89	50
G11AE	22	82	27	84	7,84	50
G11AF	28	90	28	110	9,19	50
G11AG	35	99	31	151	10,26	50
G11AH	42	115	35	209	11,88	30
G11AJ	54	139	40	322	15,13	20

**MANICOTTO DI RIDUZIONE MF**



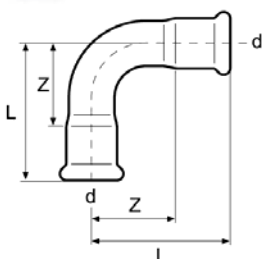
Codice	d-d1	L	H	peso in grammi	€	lotto minimo
G12DC	18-15	55	34	39	4,74	100
G12EC	22-15	60	39	45	5,15	100
G12ED	22-18	57	36	46	5,48	100
G12FC	28-15	72	51	56	6,61	80
G12FD	28-18	77	56	61	6,49	80
G12FE	28-22	67	44	64	6,74	100
G12GE	35-22	83	60	88	8,45	80
G12GF	35-28	73	49	88	9,31	80
G12HF	42-28	98	74	126	16,89	30
G12HG	42-35	79	52	114	9,82	30
G12JF	54-28	99	75	185	27,77	20
G12JG	54-35	128	101	206	19,58	20
G12JH	54-42	97	65	179	11,24	20
G12KH	76,1-42	151	119	456	50,21	5
G12KJ	76,1-54	140	103	458	51,95	5
G12LJ	88,9-54	156	119	600	56,06	5
G12LK	88,9-76,1	156	101	682	76,45	5
G12MJ	108-54	204	167	876	58,93	5
G12MK	108-76,1	196	141	954	79,39	5
G12ML	108-88,9	190	127	992	88,00	5



## CURVA 90°



R = 1,5 d



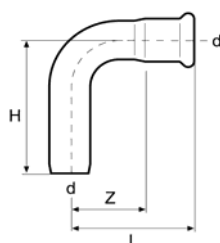
R = 1,2 d

Codice	d	L	Z	peso in grammi	€	lotto minimo
G20AC	15	48	27	56	5,76	100
G20AD	18	53	32	70	6,83	100
G20AE	22	60	37	100	7,84	100
G20AF	28	71	47	144	9,90	60
G20AG	35	87	60	206	15,57	60
G20AH	42	115	83	330	28,60	30
G20AJ	54	142	105	503	39,05	20
G20ZG	35	75	48	172	15,58	60
G20ZH	42	89	57	250	28,61	30
G20ZJ	54	107	70	398	39,05	20
G20ZK	76,1	150	95	966	93,75	5
G20ZL	88,9	174	111	1.312	113,99	5
G20ZM	108	215	138	1.948	155,82	5

## CURVA 90° MF



R = 1,5 d



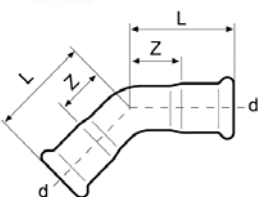
R = 1,2 d

Codice	d	L	H	Z	peso in grammi	€	lotto minimo
G21AC	15	48	56	27	60	5,85	100
G21AD	18	53	62	32	72	6,68	100
G21AE	22	60	68	37	100	7,81	100
G21AF	28	71	80	47	144	9,75	50
G21AG	35	87	93	60	206	15,29	50
G21AH	42	115	125	83	310	27,27	20
G21AJ	54	142	149	105	394	37,91	20
G21ZG	35	75	83	48	166	15,30	50
G21ZH	42	89	97	57	258	27,27	20
G21ZJ	54	107	116	70	376	37,90	20
G21ZK	76,1	150	165	95	996	93,75	5
G21ZL	88,9	174	190	111	1.316	113,99	5
G21ZM	108	215	238	138	1.932	155,82	5

## CURVA 45°



R = 1,5 d



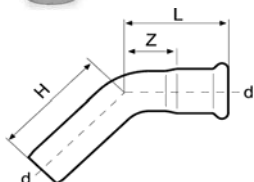
R = 1,2 d

Codice	d	L	Z	peso in grammi	€	lotto minimo
G22AC	15	37	16	51	7,81	100
G22AD	18	38	17	58	8,33	100
G22AE	22	44	21	80	9,70	100
G22AF	28	51	27	118	11,31	50
G22AG	35	59	32	165	14,55	50
G22AH	42	77	45	258	23,41	20
G22AJ	54	88	51	374	30,40	20
G22ZG	35	49	22	162	14,55	50
G22ZH	42	63	31	216	23,41	20
G22ZJ	54	75	38	304	30,40	20
G22ZK	76,1	98	43	773	89,46	5
G22ZL	88,9	112	49	1.008	106,77	5
G22ZM	108	138	61	1.524	145,74	5

**CURVA 45° MF**



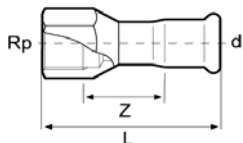
R = 1,5 d



R = 1,2 d

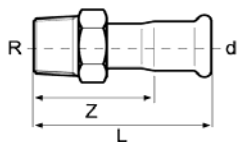
Codice	d	L	Z	peso in grammi	€	lotto minimo	
G23AC	15	37	48	60	7,85	100	
G23AD	18	38	45	60	8,35	100	
G23AE	22	44	53	80	9,60	100	
G23AF	28	51	60	115	11,27	50	
G23AG	35	59	66	166	13,73	50	
G23AH	42	77	80	258	22,15	20	
G23AJ	54	88	97	370	28,84	20	
G23ZG	35	49	51	128	13,74	50	
G23ZH	42	63	72	310	22,15	20	
G23ZJ	54	75	83	308	28,84	20	
G23ZK	76,1	98	117	43	758	82,23	5
G23ZL	88,9	112	131	49	996	98,14	5
G23ZM	108	138	154	61	1.468	134,23	5

**MANICOTTO MISTO FILETTO FEMMINA**



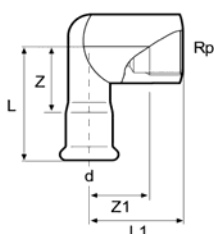
Codice	d - Rp	L	Z	peso in grammi	€	lotto minimo
G80PC	15-Rp $\frac{1}{2}$	53	20	53	8,54	100
G80PD	18-Rp $\frac{1}{2}$	51	18	53	9,03	100
G80PE	22-Rp $\frac{1}{2}$	52	17	78	9,62	100
G80QE	22-Rp $\frac{3}{4}$	56	20	78	11,32	100
G80RE	22-Rp1	70	31	108	12,88	80
G80RF	28-Rp1	62	22	105	17,58	80
G80RG	35-Rp1	81	38	134	16,84	50
G80SG	35-Rp $\frac{1}{4}$	72	28	174	19,23	50
G80TH	42-Rp $\frac{1}{2}$	74	25	274	29,61	30
G80VJ	54-Rp2	106	52	352	44,27	20

**MANICOTTO MISTO FILETTO MASCHIO**



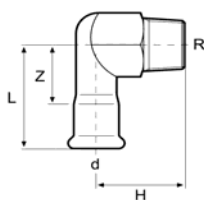
Codice	d - R	L	Z	peso in grammi	€	lotto minimo
G81PC	15-R $\frac{1}{2}$	52	31	53	8,70	100
G81PD	18-R $\frac{1}{2}$	52	31	57	8,73	100
G81PE	22-R $\frac{1}{2}$	68	45	73	9,39	100
G81QE	22-R $\frac{3}{4}$	58	35	75	9,88	100
G81RE	22-R1	72	49	120	12,37	100
G81QF	28-R $\frac{3}{4}$	73	49	102	12,04	100
G81RF	28-R1	62	38	118	12,51	100
G81RG	35-R1	82	55	150	15,89	50
G81SG	35-R $\frac{1}{4}$	70	43	170	18,33	50
G81TG	35-R $\frac{1}{2}$	84	57	204	21,19	30
G81TH	42-R $\frac{1}{2}$	75	43	204	26,72	20
G81VJ	54-R2	87	50	372	35,87	20
G81XK	76,1-R 2 $\frac{1}{2}$	125	70	804	166,44	5
G81YL	88,9-R 3	138	75	1.172	249,72	5

**GOMITO MISTO FILETTO FEMMINA**



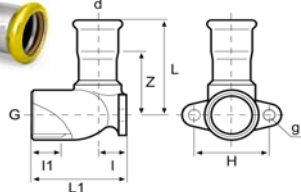
Part No.	d - Rp	L	L1	Z	Z1	peso in grammi	€	lotto minimo
G30PC	15-Rp $\frac{1}{2}$	53	36	32	24	119	12,05	80
G30PD	18-Rp $\frac{1}{2}$	52	39	31	27	122	12,93	60
G30QE	22-Rp $\frac{3}{4}$	57	46	34	33	184	15,81	50
G30RF	28-Rp1	71	54	47	38	340	22,77	50
G30SG	35-Rp $\frac{1}{4}$	72	62	45	45	492	32,23	30

## GOMITO MISTO FILETTO MASCHIO



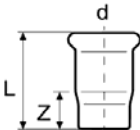
Codice	d - R	L	H	Z	peso in grammi	€	lotto minimo
G31PC	15-R $\frac{1}{2}$	53	36	32	90	10,55	80
G31PD	18-R $\frac{1}{2}$	51	36	30	103	11,08	50
G31QE	22-R $\frac{3}{4}$	58	40	35	145	14,20	50
G31RF	28-R1	63	44	39	248	18,72	50
G31SG	35-R1 $\frac{1}{4}$	71	48	44	354	28,17	30

## GOMITO MISTO CON FLANGIA



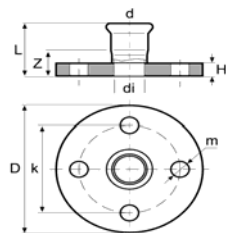
Codice	d - G (ISO 228)	L	L1	Z	I	I1	H	g	peso in grammi	€	lotto minimo
G32PC	15-G $\frac{1}{2}$	46	43	25	12	12	34	5	104	13,79	80
G32PD	18-G $\frac{1}{2}$	47	44	26	13	12	34	6	100	13,99	60
G32QE	22-G $\frac{3}{4}$	52	51	29	16	13	40	6	147	20,07	60

## TAPPO



Codice	d	L	Z	peso in grammi	€	lotto minimo
G50AC	15	37	16	28	5,82	100
G50AD	18	40	19	34	6,08	50
G50AE	22	41	18	45	6,62	50
G50AF	28	46	22	62	8,78	50
G50AG	35	51	24	78	9,87	50
G50AH	42	59	27	116	13,78	20
G50AJ	54	72	35	176	15,94	20

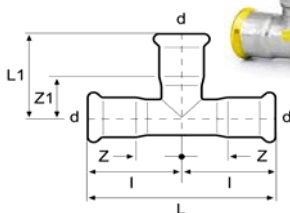
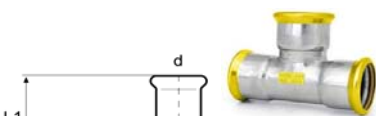
## FLANGIA CON BICCHIERE PN 6 e PN 10/16



Codice	d	D	di	L	H	m	k	Z	peso in grammi	€	lotto minimo
G52AE	22	105	21	59	12	14	75	39	792	52,66	20
G52AF	28	115	27	65	14	14	85	47	1.122	62,46	20
G52AG	35	140	32	70	15	18	100	52	1.770	94,92	20
G52AH	42	150	39	77	16	18	110	59	2.090	111,45	15
G52AJ	54	165	51	86	18	18	125	75	2.838	142,07	15
G52AK	76,1	185	72	126	18	18	145	71	3.637	187,38	5
G52AL	88,9	200	85	147	20	18	160	84	4.405	226,57	5
G52AM	108	220	104	167	20	18	180	90	5.360	269,44	5

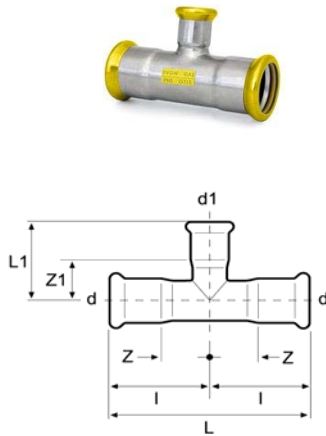
I diametri 88,9 e 108 (PN 10/16) hanno 8 fori

## TEE



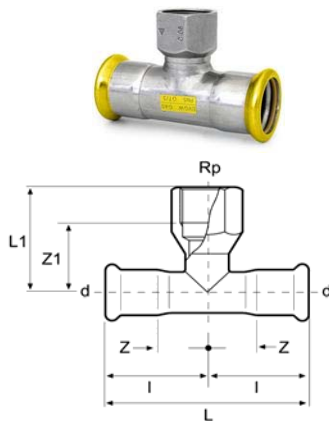
Codice	d	L	L1	Z	Z1	I	peso in grammi	€	lotto minimo
G40AC	15	74	35	16	14	37	71	10,16	100
G40AD	18	80	35	19	14	40	84	10,46	100
G40AE	22	82	40	18	17	41	110	11,99	100
G40AF	28	92	45	22	21	46	146	14,05	80
G40AG	35	102	55	24	28	51	193	19,11	50
G40AH	42	118	61	27	29	59	278	26,69	20
G40AJ	54	142	72	34	35	71	406	31,20	20
G40AK	76,1	232	115	61	60	116	1.170	168,82	5
G40AL	88,9	262	127	68	64	131	1.556	184,72	5
G40AM	108	312	155	79	78	156	2.276	227,95	5

## TEE RIDOTTO



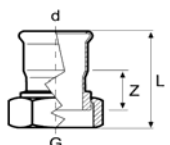
Codice	d - d1 - d	L	L1	Z	Z1	I	peso in grammi	€	lotto minimo
G41CD	18-15-18	80	36	19	15	40	84	11,88	100
G41CE	22-15-22	82	39	18	18	41	100	11,51	100
G41DE	22-18-22	82	38	18	17	41	104	11,88	100
G41CF	28-15-28	92	42	22	21	46	132	11,86	80
G41DF	28-18-28	92	42	22	21	46	134	12,62	80
G41EF	28-22-28	92	45	22	22	46	140	13,29	80
G41CG	35-15-35	102	45	24	24	51	160	15,06	50
G41DG	35-18-35	102	45	24	24	51	164	15,22	50
G41EG	35-22-35	102	46	24	23	51	173	15,97	50
G41FG	35-28-35	102	48	24	24	51	176	16,67	50
G41EH	42-22-42	118	51	27	28	59	232	22,29	30
G41FH	42-28-42	118	53	27	29	59	241	22,83	30
G41GH	42-35-42	118	60	27	33	59	250	23,54	30
G41EJ	54-22-54	142	57	34	34	71	334	26,32	20
G41FJ	54-28-54	142	60	34	36	71	348	26,81	15
G41GJ	54-35-54	142	66	34	39	71	356	27,53	15
G41HJ	54-42-54	142	64	34	32	71	378	28,34	15
G41EK	76,1-22-76,1	232	68	61	45	116	936	126,97	5
G41FK	76,1-28-76,1	232	71	61	47	116	948	137,06	5
G41GK	76,1-35-76,1	232	75	61	48	116	962	147,16	5
G41HK	76,1-42-76,1	232	79	61	47	116	987	158,71	5
G41JK	76,1-54-76,1	232	80	61	43	116	996	168,82	5
G41EL	88,9-22-88,9	262	76	68	53	131	1.238	134,23	5
G41FL	88,9-28-88,9	262	76	68	52	131	1.182	144,27	5
G41GL	88,9-35-88,9	262	83	68	56	131	1.250	154,35	5
G41HL	88,9-42-88,9	262	85	68	53	131	1.266	165,93	5
G41JL	88,9-54-88,9	262	93	68	56	131	1.290	173,14	5
G41EM	108-22-108	312	85	79	62	156	1.792	142,83	5
G41FM	108-28-108	312	88	79	64	156	1.798	151,46	5
G41GM	108-35-108	312	94	79	67	156	1.822	165,93	5
G41HM	108-42-108	312	96	79	64	156	1.820	173,14	5
G41JM	108-54-108	312	102	79	65	156	1.852	187,60	5

## ADATTATORE TEE FILETTO FEMMINA



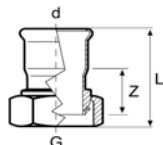
Codice	d - Rp	L	L1	Z	Z1	I	peso in grammi	€	lotto minimo
G42PC	15-Rp $\frac{1}{2}$ -15	74	37	16	25	37	84	12,37	100
G42PD	18-Rp $\frac{1}{2}$ -18	80	39	19	27	40	99	12,86	80
G42QD	18-Rp $\frac{3}{4}$ -18	80	43	19	30	40	118	13,35	50
G42PE	22-Rp $\frac{1}{2}$ -22	82	41	18	29	41	118	13,35	100
G42QE	22-Rp $\frac{3}{4}$ -22	82	41	18	28	41	130	14,57	80
G42PF	28-Rp $\frac{1}{2}$ -28	92	44	22	32	46	146	15,31	80
G42QF	28-Rp $\frac{3}{4}$ -28	92	45	22	32	46	160	15,81	50
G42PG	35-Rp $\frac{1}{2}$ -35	102	48	24	36	51	176	17,63	50
G42QG	35-Rp $\frac{3}{4}$ -35	102	48	24	35	51	194	19,85	50
G42PH	42-Rp $\frac{1}{2}$ -42	118	46	27	34	59	249	21,43	20
G42PJ	54-Rp $\frac{1}{2}$ -54	142	55	34	43	71	350	24,24	15
G42QJ	54-Rp $\frac{3}{4}$ -54	142	58	34	45	71	360	30,01	15
G42VJ	54-Rp2-54	142	69	34	47	71	548	46,64	15
G42QK	76,1-Rp $\frac{3}{4}$ -76,1	232	68	61	55	116	1.258	138,14	5
G42VK	76,1-Rp2-76,1	232	81	61	59	116	1.144	152,73	5
G42QL	88,9-Rp $\frac{3}{4}$ -88,9	262	87	68	74	131	1.254	150,13	5
G42VL	88,9-Rp2-88,9	262	88	68	66	131	1.438	159,42	5
G42QM	108-Rp $\frac{3}{4}$ -108	312	86	79	73	156	1.812	180,63	5
G42VM	108-Rp2-108	312	98	79	76	156	1.992	192,62	5

**GIRELLA CON DADO IN OTTONE O ACCIAIO INOX E GUARNIZIONE PIATTA IN HNBR**



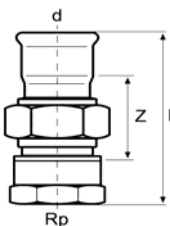
Codice	G - d (ISO 228)	dado	L	Z	peso in grammi	€	lotto minimo
G60QC	G $\frac{3}{4}$ -15	OTTONE	50	22	90	11,40	50
G60SC	G1 $\frac{1}{4}$ -15	OTTONE	52	20	190	23,14	15
G60QD	G $\frac{3}{4}$ -18	OTTONE	36	8	74	11,40	50
G60RE	G1-22	OTTONE	39	7	94	17,35	50
G60SF	G1 $\frac{1}{4}$ -28	OTTONE	44	10	168	20,09	50
G60TG	G1 $\frac{1}{2}$ -35	OTTONE	48	11	260	22,88	20
G60UH	G1 $\frac{3}{4}$ -42	OTTONE	53	9	292	30,45	20
G60WJ	G2 $\frac{3}{8}$ -54	OTTONE	61	10	454	40,70	20
G61QC	G $\frac{3}{4}$ -15	INOX	50	22	90	22,18	50
G61SC	G1 $\frac{1}{4}$ -15	INOX	52	20	90	44,70	15
G61QD	G $\frac{3}{4}$ -18	INOX	36	8	70	23,42	50
G61RE	G1-22	INOX	39	7	94	28,64	50
G61SF	G1 $\frac{1}{4}$ -28	INOX	44	10	152	45,85	50
G61TG	G1 $\frac{1}{2}$ -35	INOX	48	11	250	50,36	20
G61UH	G1 $\frac{3}{4}$ -42	INOX	53	9	258	60,75	20
G61WJ	G2 $\frac{3}{8}$ -54	INOX	61	10	404	78,31	20

**GIRELLA A SEDE CONICA CON DADO IN OTTONE O ACCIAIO INOX E GUARNIZIONE IN HNBR**



Codice	G - d (ISO 228)	dado	L	Z	peso in grammi	€	lotto minimo
G60WC	G $\frac{7}{8}$ -15	OTTONE	49	24	123	15,36	50
G60XE	G1 $\frac{1}{8}$ -22	OTTONE	53	24	207	16,79	50
G60YF	G1 $\frac{3}{8}$ -28	OTTONE	55	30	324	22,98	50
G61WC	G $\frac{7}{8}$ -15	INOX	49	24	120	27,80	50
G61XE	G1 $\frac{1}{8}$ -22	INOX	53	24	202	28,90	50
G61YF	G1 $\frac{3}{8}$ -28	INOX	55	30	314	35,20	50

**GIRELLA CON DADO IN OTTONE O ACCIAIO INOX, RACCORDO FEMMINA E GUARNIZIONE IN HNBR**



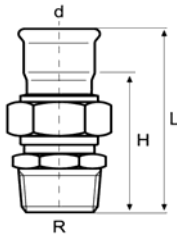
Codice	d - Rp	dado	L	Z	peso in grammi	€	lotto minimo
G62PC	15-Rp $\frac{1}{2}$	OTTONE	73	41	140	15,63	15
G62QC	15-Rp $\frac{3}{4}$	OTTONE	76	43	180	17,36	15
G62PD	18-Rp $\frac{1}{2}$	OTTONE	59	27	120	18,85	15
G62QD	18-Rp $\frac{3}{4}$	OTTONE	62	29	160	19,43	15
G62QE	22-Rp $\frac{3}{4}$	OTTONE	63	28	184	20,84	15
G62RE	22-Rp1	OTTONE	67	30	214	24,95	15
G62RF	28-Rp1	OTTONE	71	33	376	27,08	15
G62SG	35-Rp1 $\frac{1}{4}$	OTTONE	77	34	470	33,90	15
G62TH	42-Rp1 $\frac{1}{2}$	OTTONE	82	39	516	41,80	15
G62VJ	54-Rp2	OTTONE	94	36	948	79,10	15
G63PC	15-Rp $\frac{1}{2}$	INOX	73	41	142	27,72	15
G63QC	15-Rp $\frac{3}{4}$	INOX	76	43	182	27,84	15
G63PD	18-Rp $\frac{1}{2}$	INOX	59	27	126	31,99	15
G63QD	18-Rp $\frac{3}{4}$	INOX	62	29	162	29,70	15
G63QE	22-Rp $\frac{3}{4}$	INOX	63	28	186	32,92	15
G63RE	22-Rp1	INOX	67	30	216	38,58	15
G63RF	28-Rp1	INOX	71	33	356	53,36	15
G63SG	35-Rp1 $\frac{1}{4}$	INOX	77	34	462	64,91	15
G63TH	42-Rp1 $\frac{1}{2}$	INOX	82	39	484	77,04	15
G63VJ	54-Rp2	INOX	94	36	898	124,16	15

ACCIAIO INOX GAS AISI 316L

PROFILO  
**M**

GIRELLA CON DADO IN OTTONE O  
ACCIAIO INOX, RACCORDO MASCHIO  
E GUARNIZIONE IN HNBR

Codice	d - R	dado	L	H	peso in grammi	€	min. lot
G64PC	15-R $\frac{1}{2}$	OTTONE	77	56	150	15,89	15
G64QC	15-R $\frac{3}{4}$	OTTONE	80	59	168	16,78	15
G64PD	18-R $\frac{1}{2}$	OTTONE	63	42	129	17,50	15
G64QD	18-R $\frac{3}{4}$	OTTONE	66	45	149	17,75	15
G64PE	22-R $\frac{1}{2}$	OTTONE	67	44	225	21,35	15
G64QE	22-R $\frac{3}{4}$	OTTONE	69	46	195	18,65	15
G64RE	22-R1	OTTONE	73	50	237	26,24	15
G64RF	28-R1	OTTONE	78	54	366	31,32	15
G64SG	35-R1 $\frac{1}{4}$	OTTONE	85	59	495	39,94	15
G64TH	42-R1 $\frac{1}{2}$	OTTONE	90	58	578	50,21	15
G64VJ	54-R2	OTTONE	103	66	988	79,80	15
G65PC	15-R $\frac{1}{2}$	INOX	77	56	148	28,30	15
G65QC	15-R $\frac{3}{4}$	INOX	80	59	168	28,41	15
G65PD	18-R $\frac{1}{2}$	INOX	63	42	128	32,11	15
G65QD	18-R $\frac{3}{4}$	INOX	66	45	148	29,80	15
G65PE	22-R $\frac{1}{2}$	INOX	67	44	218	36,38	15
G65QE	22-R $\frac{3}{4}$	INOX	69	46	194	33,03	15
G65RE	22-R1	INOX	73	50	232	39,85	15
G65RF	28-R1	INOX	78	54	350	54,98	15
G65SG	35-R1 $\frac{1}{4}$	INOX	85	59	482	66,41	15
G65TH	42-R1 $\frac{1}{2}$	INOX	90	58	588	79,00	15
G65VJ	54-R2	INOX	103	66	936	127,05	15

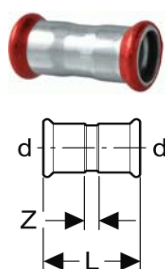


ACCIAIO INOX GAS AISI 316L

PROFILO

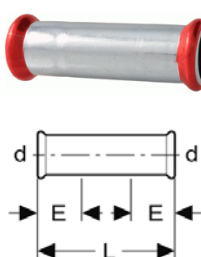
M

## MANICOTTO



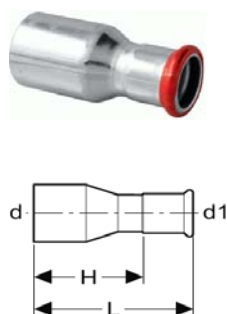
Codice	d	L	Z	peso in grammi	€	pezzi per sacchetto	lotto min.
C10AB-LBP	12	42	6	24	1,53	20	200
C10AC-LBP	15	52	10	39	1,56	20	200
C10AD-LBP	18	52	10	44	1,62	20	200
C10AE-LBP	22	59	13	61	1,81	20	200
C10AF-LBP	28	61	13	77	2,34	20	200
C10AG-LBP	35	72	18	103	3,71	10	200
C10AH-LBP	42	79	15	146	4,94	8	120
C10AJ-LBP	54	90	16	210	5,92	6	108
C10AK	76,1	142	32	596	21,80	*	20
C10AL	88,9	163	37	814	27,15	*	10
C10AM	108	192	38	1.178	36,17	*	10

## MANICOTTO PASSANTE



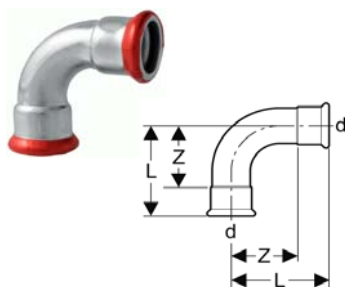
Codice	d	L	E	peso in grammi	€	pezzi per sacchetto	lotto min.
C11AB-LBP	12	56	22	32	1,70	20	200
C11AC-LBP	15	75	24	51	1,74	20	200
C11AD-LBP	18	77	25	60	1,94	20	100
C11AE-LBP	22	86	27	81	2,14	20	100
C11AF-LBP	28	92	28	110	2,66	20	100
C11AG-LBP	35	99	31	138	5,18	10	60
C11AH-LBP	42	119	35	200	6,18	6	60
C11AJ-LBP	54	145	40	280	7,29	4	40
C11AK	76,1	230	60	875	30,57	*	5
C11AL	88,9	262	70	1.200	40,19	*	5
C11AM	108	304	80	1.705	40,54	*	5

## MANICOTTO DI RIDUZIONE MF



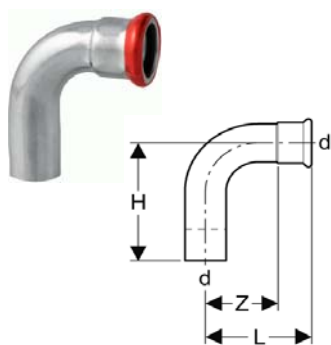
Codice	d - d1	L	H	peso in grammi	€	pezzi per sacchetto	lotto min.
C12CB-LBP	15-12	51	33	29	1,59	20	200
C12DB-LBP	18-12	53	35	30	2,31	20	200
C12DC-LBP	18-15	55	34	38	1,56	20	200
C12EB-LBP	22-12	60	42	41	2,31	20	200
C12EC-LBP	22-15	60	39	43	2,06	20	200
C12ED-LBP	22-18	57	36	44	2,11	20	200
C12FB-LBP	28-12	75	57	60	2,95	20	100
C12FC-LBP	28-15	81	60	65	3,06	20	100
C12FD-LBP	28-18	84	63	70	3,12	20	100
C12FE-LBP	28-22	70	47	61	2,38	20	200
C12GC-LBP	35-15	84	63	86	4,46	10	60
C12GD-LBP	35-18	87	66	92	5,12	10	60
C12GE-LBP	35-22	76	53	92	3,48	10	100
C12GF-LBP	35-28	74	48	84	2,36	10	100
C12HD-LBP	42-18	98	77	124	10,21	6	30
C12HE-LBP	42-22	87	64	118	6,51	6	60
C12HF-LBP	42-28	100	76	131	6,62	6	60
C12HG-LBP	42-35	78	52	112	4,77	6	60
C12JD-LBP	54-18	108	87	192	17,12	4	32
C12JE-LBP	54-22	110	88	190	15,80	4	40
C12JF-LBP	54-28	100	76	186	15,86	4	40
C12JG-LBP	54-35	129	102	204	10,88	4	40
C12JH-LBP	54-42	108	76	210	7,71	4	40
C12KH-LBP	76,1-42	151	119	451	31,67	*	10
C12KJ-LBP	76,1-54	145	108	454	31,91	*	10
C12LJ-LBP	88,9-54	157	120	596	35,29	*	10
C12LK	88,9-76,1	157	105	699	35,86	*	10
C12MJ-LBP	108-54	204	167	898	45,86	*	10
C12MK	108-76,1	196	144	980	46,15	*	10
C12ML	108-88,9	192	133	996	54,50	*	10

## CURVA 90° R 1,2



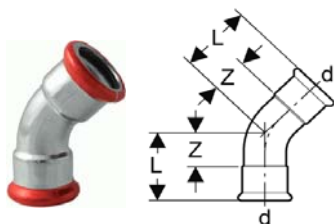
Codice	d	L	Z	peso in grammi	€	pezzi per sacchetto	lotto min.
C20ZB-LBP	12	42	24	38	2,25	20	200
C20ZC-LBP	15	41	20	48	2,35	20	200
C20ZD-LBP	18	45	24	61	2,61	20	200
C20ZE-LBP	22	49	26	84	2,97	20	200
C20ZF-LBP	28	59	35	120	3,99	10	200
C20ZG-LBP	35	72	45	165	7,69	10	160
C20ZH-LBP	42	91	59	256	12,83	6	60
C20ZJ-LBP	54	110	73	386	16,60	6	60
C20ZK	76,1	150	95	994	39,03	*	20
C20ZL	88,9	174	111	1.364	53,78	*	20
C20ZM	108	215	138	2.060	76,16	*	20

## CURVA 90° MF R 1,2



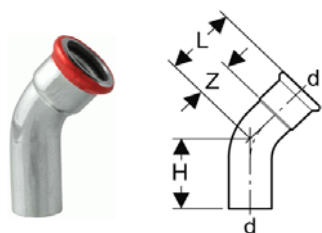
Codice	d	L	H	Z	peso in grammi	€	pezzi per sacchetto	lotto min.
C21ZB-LBP	12	42	48	24	38	2,37	20	200
C21ZC-LBP	15	41	49	20	48	2,45	20	200
C21ZD-LBP	18	45	53	24	60	2,70	20	200
C21ZE-LBP	22	49	59	26	89	3,06	20	200
C21ZF-LBP	28	59	69	35	120	3,98	10	200
C21ZG-LBP	35	72	83	45	164	7,99	10	100
C21ZH-LBP	42	91	96	59	255	12,87	6	60
C21ZJ-LBP	54	110	116	73	382	16,88	6	60
C21ZK	76,1	150	166	95	1.006	39,67	*	10
C21ZL	88,9	174	190	111	1.378	56,04	*	10
C21ZM	108	215	230	138	2.028	78,55	*	10

## CURVA 45° R 1,2



Codice	d	L	Z	peso in grammi	€	pezzi per sacchetto	lotto min.
C22ZB-LBP	12	32	14	34	2,54	20	100
C22ZC-LBP	15	30	9	41	2,70	20	200
C22ZD-LBP	18	31	10	51	2,85	20	200
C22ZE-LBP	22	35	12	68	3,05	20	200
C22ZF-LBP	28	41	17	93	4,10	10	160
C22ZG-LBP	35	56	29	126	7,38	10	100
C22ZH-LBP	42	63	31	198	9,30	5	60
C22ZJ-LBP	54	75	38	308	12,98	4	40
C22ZK	76,1	98	43	800	38,02	*	10
C22ZL	88,9	113	50	1.084	52,15	*	10
C22ZM	108	138	61	1.598	71,08	*	10

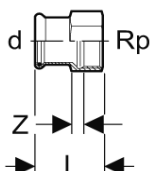
## CURVA 45° MF R 1,2



Codice	d	L	H	Z	peso in grammi	€	pezzi per sacchetto	lotto min.
C23ZB-LBP	12	32	41	14	33	2,52	20	100
C23ZC-LBP	15	30	42	9	41	2,66	20	200
C23ZD-LBP	18	31	35	10	50	2,74	20	200
C23ZE-LBP	22	35	47	12	69	2,95	20	200
C23ZF-LBP	28	41	47	17	99	4,05	10	160
C23ZG-LBP	35	36	66	29	128	7,25	10	100
C23ZH-LBP	42	63	70	31	198	9,40	5	60
C23ZJ-LBP	54	75	82	38	316	13,21	4	40
C23ZK	76,1	98	119	43	793	39,70	*	10
C23ZL	88,9	113	130	50	1.076	52,97	*	10
C23ZM	108	138	160	61	1.564	72,01	*	10

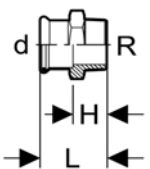


**MANICOTTO MISTO  
FILETTO FEMMINA**



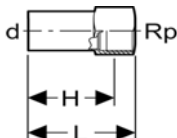
Codice	d - Rp	L	Z	peso in grammi	€	pezzi per sacchetto	lotto min.
C80NB-LBP	12-Rp <sup>3/8</sup>	31	3	53	4,83	20	120
C80PB-LBP	12-Rp <sup>1/2</sup>	35	5	58	5,22	20	120
C80NC-LBP	15-Rp <sup>3/8</sup>	35	4	54	5,25	20	100
C80PC-LBP	15-Rp <sup>1/2</sup>	37	4	82	4,57	20	200
C80QC-LBP	15-Rp <sup>3/4</sup>	38	4	91	5,46	20	100
C80PD-LBP	18-Rp <sup>1/2</sup>	37	4	59	4,67	20	160
C80QD-LBP	18-Rp <sup>3/4</sup>	38	4	72	5,72	20	160
C80PE-LBP	22-Rp <sup>1/2</sup>	37	3	88	5,89	20	160
C80QE-LBP	22-Rp <sup>3/4</sup>	40	4	88	5,81	20	200
C80RE-LBP	22-Rp1	43	4	105	8,98	20	120
C80PF-LBP	28-Rp <sup>1/2</sup>	45	9	174	7,71	10	120
C80QF-LBP	28-Rp <sup>3/4</sup>	43	6	158	7,68	10	120
C80RF-LBP	28-Rp1	45	5	97	7,08	10	200
C80RG-LBP	35-Rp1	45	8	223	9,66	10	80
C80SG-LBP	35-Rp1 <sup>1/4</sup>	73	25	198	9,87	10	120
C80TH-LBP	42-Rp1 <sup>1/2</sup>	75	20	248	10,40	5	100
C80VJ-LBP	54-Rp2	85	18	476	16,70	5	80

**MANICOTTO MISTO  
FILETTO MASCHIO**



Codice	d - R	L	H	peso in grammi	€	pezzi per sacchetto	lotto min.
C81NB-LBP	12-R <sup>3/8</sup>	36	18	42	5,16	20	120
C81PB-LBP	12-R <sup>1/2</sup>	40	22	45	5,50	20	120
C81NC-LBP	15-R <sup>3/8</sup>	43	22	40	4,52	20	200
C81PC-LBP	15-R <sup>1/2</sup>	43	22	50	4,85	20	200
C81QC-LBP	15-R <sup>3/4</sup>	44	23	86	6,45	20	100
C81PD-LBP	18-R <sup>1/2</sup>	44	23	61	4,96	20	200
C81QD-LBP	18-R <sup>3/4</sup>	45	24	79	5,31	20	160
C81PE-LBP	22-R <sup>1/2</sup>	44	21	74	5,50	20	160
C81QE-LBP	22-R <sup>3/4</sup>	45	22	79	5,38	20	200
C81RE-LBP	22-R1	47	24	120	7,43	20	200
C81QF-LBP	28-R <sup>3/4</sup>	47	23	96	8,81	10	200
C81RF-LBP	28-R1	49	25	100	7,22	10	200
C81RG-LBP	35-R1	63	23	155	11,80	10	200
C81SG-LBP	35-R1 <sup>1/4</sup>	54	27	164	10,43	10	200
C81TG-LBP	35-R1 <sup>1/2</sup>	54	27	275	10,89	10	100
C81TH-LBP	42-R1 <sup>1/2</sup>	58	26	197	11,05	6	84
C81VJ-LBP	54-R2	69	32	358	17,07	4	80
C81XK	76,1-R2 <sup>1/2</sup>	123	68	999	44,26	*	10
C81YL	88,9-R3	134	71	1.153	63,00	*	10
C81ZM	108-R4	156	78	1.924	81,90	*	5

**CODOLO - FILETTO FEMMINA**

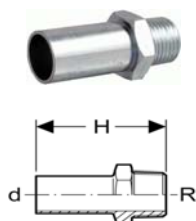


Codice	d - Rp	L	H	peso in grammi	€	pezzi per sacchetto	lotto min.
C86NB	12-Rp <sup>3/8</sup>	54	44	66	2,66	*	60
C86PB	12-Rp <sup>1/2</sup>	58	46	60	2,66	*	60
C86NC	15-Rp <sup>3/8</sup>	74	64	64	3,02	*	60
C86PC	15-Rp <sup>1/2</sup>	61	49	73	3,02	*	60
C86PD	18-Rp <sup>1/2</sup>	61	49	71	3,38	*	60
C86QD	18-Rp <sup>3/4</sup>	64	51	125	3,50	*	60
C86PE	22-Rp <sup>1/2</sup>	61	49	69	4,23	*	60
C86QE	22-Rp <sup>3/4</sup>	65	52	124	4,95	*	60

\*La quantità inserita nel sacchetto varierà in funzione della quantità ordinata, nel rispetto del lotto minimo .

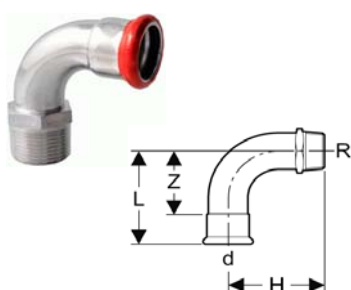
Dati soggetti a modifiche senza impegno di preavviso

## CODOLO - FILETTO MASCHIO



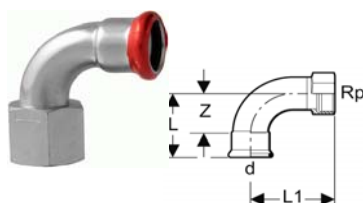
Codice	d - R	H	peso in grammi	€	pezzi per sacchetto	lotto min.
C87NB	12-R <sup>3</sup> / <sub>8</sub>	50	40	4,62	*	60
C87PB	12-R <sup>1</sup> / <sub>2</sub>	55	58	4,62	*	60
C87PC	15-R <sup>1</sup> / <sub>2</sub>	57	57	4,62	*	60
C87PD	18-R <sup>1</sup> / <sub>2</sub>	57	58	4,85	*	60
C87QD	18-R <sup>3</sup> / <sub>4</sub>	59	75	5,31	*	60
C87PE	22-R <sup>1</sup> / <sub>2</sub>	57	70	6,12	*	60
C87QE	22-R <sup>3</sup> / <sub>4</sub>	59	74	6,35	*	60

## ADATTATORE 90° FILETTO MASCHIO



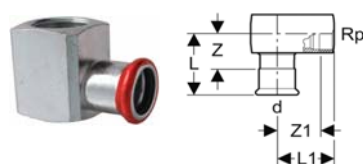
Codice	d - R	L	H	Z	peso in grammi	€	pezzi per sacchetto	lotto min.
C83NB-LBP	12-R <sup>3</sup> / <sub>8</sub>	42	34	24	53	6,01	20	40
C83NC-LBP	15-R <sup>3</sup> / <sub>8</sub>	41	39	20	62	6,69	20	40
C83PC-LBP	15-R <sup>1</sup> / <sub>2</sub>	41	40	20	70	6,92	20	60
C83PD-LBP	18-R <sup>1</sup> / <sub>2</sub>	45	48	24	70	7,26	20	60
C83QE-LBP	22-R <sup>3</sup> / <sub>4</sub>	49	54	26	106	9,30	10	60
C83RF-LBP	28-R1	59	68	35	174	11,40	10	40
C83SG-LBP	35-R1 <sup>1</sup> / <sub>4</sub>	72	102	45	292	17,35	10	30
C83TH-LBP	42-R1 <sup>1</sup> / <sub>2</sub>	91	116	59	376	28,24	5	30
C83VJ-LBP	54-R2	110	142	73	666	41,50	5	30

## ADATTATORE 90° FILETTO FEMMINA



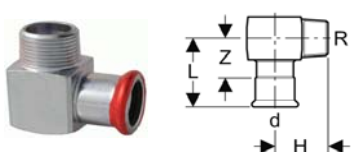
Codice	d - Rp	L	L1	Z	peso in grammi	€	pezzi per sacchetto	lotto min.
C82NB-LBP	12-Rp <sup>3</sup> / <sub>8</sub>	42	41	24	80	8,17	20	40
C82NC-LBP	15-Rp <sup>3</sup> / <sub>8</sub>	41	44	20	83	8,62	20	40
C82PC-LBP	15-Rp <sup>1</sup> / <sub>2</sub>	41	44	20	83	9,19	20	40
C82PD-LBP	18-Rp <sup>1</sup> / <sub>2</sub>	45	51	24	88	9,75	20	40
C82QE-LBP	22-Rp <sup>3</sup> / <sub>4</sub>	49	56	26	150	11,68	10	40
C82PF-LBP	28-Rp <sup>1</sup> / <sub>2</sub>	59	64	35	200	13,49	10	40

## GOMITO MISTO FILETTO FEMMINA



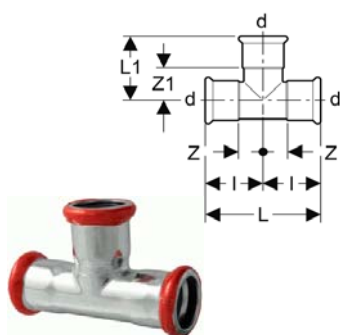
Codice	d - Rp	L	L1	Z	Z1	peso in grammi	€	pezzi per sacchetto	lotto min.
C30PC-LBP	15-Rp <sup>1</sup> / <sub>2</sub>	36	27	15	15	171	8,33	20	100
C30PD-LBP	18-Rp <sup>1</sup> / <sub>2</sub>	36	27	15	15	172	8,74	10	80
C30PE-LBP	22-Rp <sup>1</sup> / <sub>2</sub>	42	40	19	28	236	9,02	10	50
C30QE-LBP	22-Rp <sup>3</sup> / <sub>4</sub>	42	30	19	17	292	9,31	10	50
C30PF-LBP	28-Rp <sup>1</sup> / <sub>2</sub>	47	43	23	31	454	10,71	10	40

## GOMITO MISTO FILETTO MASCHIO



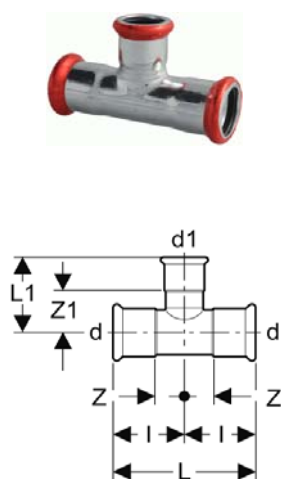
Codice	d - R	L	H	Z	peso in grammi	€	pezzi per sacchetto	lotto min.
C31NB-LBP	12-R <sup>3</sup> / <sub>8</sub>	34	21	16	84	5,90	20	120
C31NC-LBP	15-R <sup>3</sup> / <sub>8</sub>	34	23	13	86	5,57	20	120
C31PC-LBP	15-R <sup>1</sup> / <sub>2</sub>	34	28	13	93	5,70	20	120
C31PD-LBP	18-R <sup>1</sup> / <sub>2</sub>	36	26	15	136	6,08	20	80
C31QD-LBP	18-R <sup>3</sup> / <sub>4</sub>	37	31	16	150	7,01	10	60
C31QE-LBP	22-R <sup>3</sup> / <sub>4</sub>	39	36	16	190	7,64	10	60

TEE



Codice	d	L	L1	Z	Z1	I	peso in grammi	€	pezzi per sacchetto	lotto min.
C40AB-LBP	12	56	35	10	17	28	46	4,67	20	200
C40AC-LBP	15	74	36	16	15	37	69	4,31	20	200
C40AD-LBP	18	80	37	19	16	40	82	4,65	20	200
C40AE-LBP	22	82	43	18	20	41	109	5,04	20	200
C40AF-LBP	28	92	46	22	22	46	146	6,48	10	200
C40AG-LBP	35	102	55	24	28	51	187	9,68	8	160
C40AH-LBP	42	118	60	27	28	59	271	14,36	5	60
C40AJ-LBP	54	142	73	34	36	71	397	17,25	4	60
C40AK	76,1	232	121	61	66	116	1.220	67,87	*	10
C40AL	88,9	262	126	68	63	131	1.640	77,90	*	10
C40AM	108	312	152	79	75	156	2.392	101,44	*	10

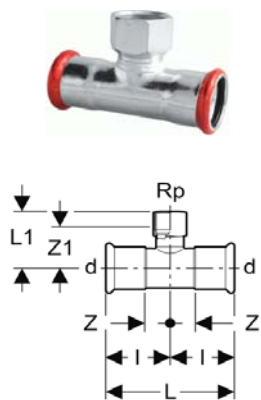
TEE RIDOTTO



Codice	d - d1 - d	L	L1	Z	Z1	I	peso in grammi	€	pezzi per sacchetto	lotto min.
C41BC-LBP	15-12-15	74	33	16	15	37	65	5,23	20	100
C41BD-LBP	18-12-18	80	34	19	16	40	75	5,57	20	100
C41CD-LBP	18-15-18	80	35	19	14	40	77	4,74	20	200
C41BE-LBP	22-12-22	82	36	18	18	41	95	5,90	20	100
C41CE-LBP	22-15-22	82	40	18	19	41	99	4,76	20	200
C41DE-LBP	22-18-22	82	40	18	19	41	102	4,91	20	160
C41CF-LBP	28-15-28	92	42	22	21	46	127	6,21	10	180
C41DF-LBP	28-18-28	92	43	22	22	46	130	6,46	10	160
C41EF-LBP	28-22-28	92	46	22	23	46	136	7,02	10	180
C41CG-LBP	35-15-35	102	45	24	24	51	157	8,90	10	100
C41DG-LBP	35-18-35	102	45	24	24	51	161	9,53	10	100
C41EG-LBP	35-22-35	102	48	24	25	51	170	9,83	10	100
C41FG-LBP	35-28-35	102	50	24	25	51	179	9,99	10	100
C41CH-LBP	42-15-42	118	52	27	31	59	218	14,69	10	60
C41DH-LBP	42-18-42	118	52	27	31	59	222	14,80	10	40
C41EH-LBP	42-22-42	118	54	27	31	59	228	12,75	5	60
C41FH-LBP	42-28-42	118	53	27	29	59	234	13,13	4	60
C41GH-LBP	42-35-42	118	57	27	30	59	250	13,11	5	60
C41CJ-LBP	54-15-54	142	54	34	33	71	321	18,14	6	30
C41DJ-LBP	54-18-54	142	54	34	33	71	331	18,25	6	30
C41EJ-LBP	54-22-54	142	56	34	33	71	338	14,94	4	40
C41FJ-LBP	54-28-54	142	59	34	35	71	352	15,28	4	40
C41GJ-LBP	54-35-54	142	64	34	37	71	356	15,72	6	36
C41HJ-LBP	54-42-54	142	68	34	36	71	375	16,60	4	40
C41EK-LBP	76,1-22-76,1	232	68	61	45	116	986	48,59	*	10
C41FK-LBP	76,1-28-76,1	232	71	61	47	116	981	49,03	*	10
C41GK-LBP	76,1-35-76,1	232	75	61	48	116	998	50,01	*	10
C41HK-LBP	76,1-42-76,1	232	79	61	47	116	1.015	50,78	*	10
C41JK-LBP	76,1-54-76,1	232	80	61	43	116	1.034	51,38	*	10
C41EL-LBP	88,9-22-88,9	262	76	68	53	131	1.306	69,78	*	10
C41FL-LBP	88,9-28-88,9	262	75,5	68	51,5	131	1.240	70,54	*	10
C41GL-LBP	88,9-35-88,9	262	83	68	56,5	131	1.295	71,85	*	10
C41HL-LBP	88,9-42-88,9	262	85	68	53	131	1.336	73,05	*	10
C41JL-LBP	88,9-54-88,9	262	92,5	68	55,5	131	1.372	74,04	*	10
C41KL	88,9-76,1-88,9	262	128	68	73	131	1.572	74,35	*	10
C41EM-LBP	108-22-108	312	85	79	62	156	1.831	85,72	*	10
C41FM-LBP	108-28-108	312	87,5	79	63,5	156	1.820	86,49	*	5
C41GM-LBP	108-35-108	312	93,5	79	66	156	1.835	87,14	*	5
C41HM-LBP	108-42-108	312	96	79	64	156	1.849	87,91	*	5
C41JM-LBP	108-54-108	312	102	79	65	156	1.872	89,43	*	5
C41KM	108-76,1-108	312	125	79	70,2	156	2.119	90,20	*	5
C41LM	108-88,9-108	312	135	79	72	156	2.100	90,83	*	5

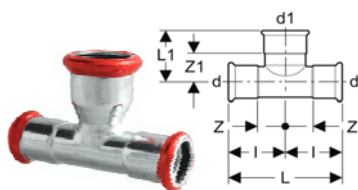
\*La quantità inserita nel sacchetto varierà in funzione della quantità ordinata, nel rispetto del lotto minimo .

## ADATTATORE TEE FILETTO FEMMINA



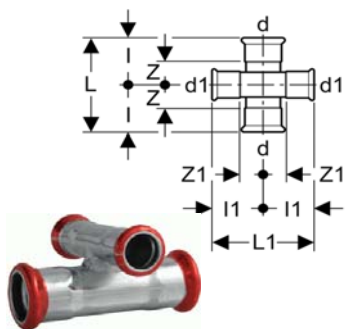
Codice	d - Rp	L	L1	Z	Z1	I	peso in grammi	€	pezzi per sacchetto	lotto min.
C42NB-LBP	12-Rp $\frac{3}{8}$ -12	56	33	10	23	28	67	9,57	20	100
C42PB-LBP	12-Rp $\frac{1}{2}$ -12	56	36	10	23	28	68	9,57	20	100
C42PC-LBP	15-Rp $\frac{1}{2}$ -15	74	38	16	23	37	84	6,03	20	160
C42PD-LBP	18-Rp $\frac{1}{2}$ -18	80	39	20	24	40	95	6,06	20	120
C42PE-LBP	22-Rp $\frac{1}{2}$ -22	82	42	18	30	41	127	6,40	20	200
C42QE-LBP	22-Rp $\frac{3}{4}$ -22	82	43	18	30	41	128	8,79	20	100
C42PF-LBP	28-Rp $\frac{1}{2}$ -28	92	44	22	32	46	150	7,30	10	200
C42QF-LBP	28-Rp $\frac{3}{4}$ -28	92	45	22	32	46	157	8,97	10	100
C42PG-LBP	35-Rp $\frac{1}{2}$ -35	102	48	24	36	51	185	9,72	10	100
C42QG-LBP	35-Rp $\frac{3}{4}$ -35	102	48	24	35	51	183	12,40	10	40
C42PH-LBP	42-Rp $\frac{1}{2}$ -42	118	46	27	34	59	248	14,95	5	60
C42QH-LBP	42-Rp $\frac{3}{4}$ -42	118	51	27	38	59	250	17,35	5	40
C42PJ-LBP	54-Rp $\frac{1}{2}$ -54	142	58	34	46	74	355	17,57	6	42
C42QJ-LBP	54-Rp $\frac{3}{4}$ -54	142	59	34	46	74	354	18,27	6	36
C42QK	76,1-Rp $\frac{3}{4}$ -76,1	232	69	61	56	116	987	59,15	*	10
C42QL	88,9-Rp $\frac{3}{4}$ -88,9	262	76	68	63	131	1.314	79,89	*	10
C42QM	108-Rp $\frac{3}{4}$ -108	312	86	79	73	156	1.900	94,80	*	10

## TEE ALLARGATO



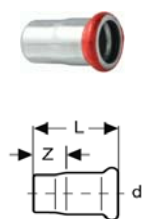
Codice	d - d1 - d	L	L1	Z	Z1	I	peso in grammi	€	pezzi per sacchetto	lotto min.
C44CB-LBP	12-15-12	56	38	10	17	28	52	5,22	20	100
C44DC-LBP	15-18-15	74	36	16	15	37	72	5,67	20	100
C44EC-LBP	15-22-15	74	42	16	19	37	86	6,18	20	100
C44ED-LBP	18-22-18	80	45	19	22	40	94	6,46	20	80
C44FE-LBP	22-28-22	82	45	18	21	41	122	6,69	10	80

## CROCE A 90°



Codice	d - d1	L	L1	Z	Z1	I	I1	peso in grammi	€	pezzi per sacchetto	lotto min.
C45AC-LBP	15-15	74	74	16	16	37	37	102	13,22	10	40
C45CD-LBP	18-15	80	74	19	16	40	37	111	14,64	10	80
C45CE-LBP	22-15	82	74	18	16	41	37	132	15,41	10	80
C45DE-LBP	22-18	82	80	18	19	41	40	142	15,65	10	40
C45CF-LBP	28-15	92	74	22	16	46	37	160	16,33	10	40
C45DF-LBP	28-18	92	80	22	19	46	40	171	16,56	10	40
C45EF-LBP	28-22	92	82	22	18	46	41	188	17,60	10	20
C45EG-LBP	35-22	102	82	24	18	51	41	220	25,86	5	10
C45EH-LBP	42-22	118	82	27	18	59	41	282	33,54	5	10
C45EJ-LBP	54-22	142	82	34	18	71	41	390	39,31	5	10

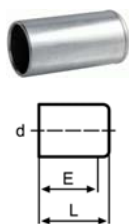
## TAPPO



Codice	d	L	Z	peso in grammi	€	pezzi per sacchetto	lotto min.
C50AB-LBP	12	30	12	21	3,23	20	100
C50AC-LBP	15	38	17	28	3,23	20	100
C50AD-LBP	18	41	20	33	3,45	20	100
C50AE-LBP	22	42	19	45	3,78	10	100
C50AF-LBP	28	46	22	61	5,45	10	60
C50AG-LBP	35	51	24	82	6,46	10	60
C50AH-LBP	42	59	27	116	10,13	10	40
C50AJ-LBP	54	73	36	178	11,02	10	20
C50AK	76,1	95	40	376	20,71	*	5
C50AL	88,9	115	52	504	25,83	*	5
C50AM	108	130	53	760	37,32	*	5

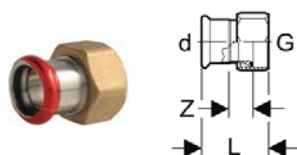
\*La quantità inserita nel sacchetto varierà in funzione della quantità ordinata, nel rispetto del lotto minimo .

## TAPPO MASCHIO



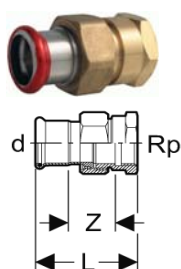
Codice	d	L	E	peso in grammi	€	pezzi per sacchetto	lotto min.
C51AB	12	36	30	14	2,73	*	60
C51AC	15	42	33	22	2,73	*	60
C51AD	18	40	33	28	2,84	*	60
C51AE	22	43	34	38	3,12	*	60
C51AF	28	47	36	50	4,56	*	60
C51AG	35	49	40	70	5,45	*	60
C51AH	42	55	44	96	7,57	*	40
C51AJ	54	65	49	144	8,01	*	20
C51AK	76,1	87	74	376	17,70	*	5
C51AL	88,9	92	78	474	22,82	*	5
C51AM	108	107	92	698	32,28	*	5

## GIRELLA CON DADO IN OTTONE E GUARNIZIONE PIATTA IN EPDM



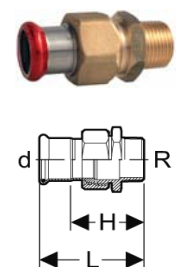
Codice	G - d (ISO 228)	L	Z	peso in grammi	€	pezzi per sacchetto	lotto min.
C60QC-LBP	G <sup>3</sup> / <sub>4</sub> -15	37	11	74	6,80	*	100
C60QD-LBP	G <sup>3</sup> / <sub>4</sub> -18	39	11	72	7,03	*	100
C60RE-LBP	G1-22	40	11	96	7,71	*	60
C60SF-LBP	G1 <sup>1</sup> / <sub>4</sub> -28	44	13	168	9,98	*	50
C60TG-LBP	G1 <sup>1</sup> / <sub>2</sub> -35	48	13	252	16,44	*	40
C60UH-LBP	G1 <sup>3</sup> / <sub>4</sub> -42	52	13	286	21,43	*	20
C60WJ-LBP	G2 <sup>1</sup> / <sub>2</sub> -54	58	15	428	25,40	*	12

## GIRELLA CON DADO IN OTTONE, RACCORDO FEMMINA E GUARNIZIONE PIATTA IN EPDM



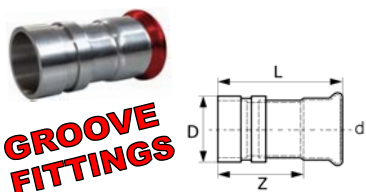
Codice	d - Rp	L	Z	peso in grammi	€	pezzi per sacchetto	lotto min.
C62PC-LBP	15-Rp <sup>1</sup> / <sub>2</sub>	59	26	176	9,93	*	40
C62QC-LBP	15-Rp <sup>3</sup> / <sub>4</sub>	61	26	188	11,32	*	40
C62PD-LBP	18-Rp <sup>1</sup> / <sub>2</sub>	59	26	174	11,32	*	40
C62QD-LBP	18-Rp <sup>3</sup> / <sub>4</sub>	61	26	188	12,13	*	40
C62QE-LBP	22-Rp <sup>3</sup> / <sub>4</sub>	63	27	196	13,28	*	40
C62RE-LBP	22-Rp1	66	28	234	15,59	*	40
C62RF-LBP	28-Rp1	71	31	416	20,21	*	30
C62SG-LBP	35-Rp1 <sup>1</sup> / <sub>4</sub>	77	32	494	27,14	*	24
C62TH-LBP	42-Rp1 <sup>1</sup> / <sub>2</sub>	82	33	564	48,31	*	16
C62VJ-LBP	54-Rp2	95	37	1.006	69,85	*	16

## GIRELLA CON DADO IN OTTONE, RACCORDO MASCHIO E GUARNIZIONE PIATTA IN EPDM



Codice	d - R	L	H	peso in grammi	€	pezzi per sacchetto	lotto min.
C64PC-LBP	15-R <sup>1</sup> / <sub>2</sub>	61	40	138	10,63	*	40
C64QC-LBP	15-R <sup>3</sup> / <sub>4</sub>	63	42	124	12,13	*	40
C64PD-LBP	18-R <sup>1</sup> / <sub>2</sub>	64	43	136	11,32	*	40
C64QD-LBP	18-R <sup>3</sup> / <sub>4</sub>	66	45	122	12,47	*	40
C64PE-LBP	22-R <sup>1</sup> / <sub>2</sub>	67	44	228	12,13	*	40
C64QE-LBP	22-R <sup>3</sup> / <sub>4</sub>	68	45	212	12,94	*	40
C64RE-LBP	22-R1	73	50	208	15,59	*	40
C64RF-LBP	28-R1	75	51	402	17,90	*	30
C64SG-LBP	35-R1 <sup>1</sup> / <sub>4</sub>	80	53	486	24,26	*	24
C64TH-LBP	42-R1 <sup>1</sup> / <sub>2</sub>	85	53	608	36,96	*	16
C64VJ-LBP	54-R2	97	60	828	78,54	*	16

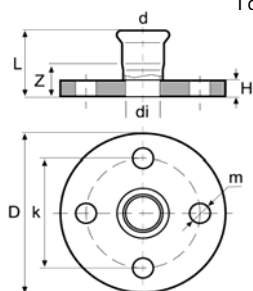
## RACCORDO DI TRANSIZIONE PER GROOVE FITTINGS



Codice	d - D	L	Z	peso in grammi	€	pezzi per sacchetto	lotto min.
C96EF-LBP	28x33,7	74	50	152	23,51	*	30
C96SG-LBP	35x42,4	79	52	212	26,19	*	20
C96TH-LBP	42x48,3	86	54	260	31,80	*	20
C96VJ-LBP	54x60,3	99	62	367	37,41	*	20
C96KK	76,1x76,1	108	53	802	70,01	*	10
C96LL	88,9x88,9	119	56	991	89,78	*	10
C96ZM	108x114,4	128	51	1055	111,16	*	10

\*La quantità inserita nel sacchetto varierà in funzione della quantità ordinata, nel rispetto del lotto minimo .

**FLANGIA CON BICCHIERE  
PN 6 E PN 10/16**



I diametri 88,9 e 108 (PN 10/16) hanno 8 fori

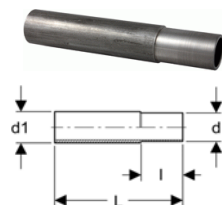
**PN 10/16**

Codice	d	D	di	L	H	m	k	Z	peso in grammi	€	pezzi per sacchetto	lotto min.
C52AE-LBP	22	105	21	63	16	14	75	40	676	25,73	*	20
C52AF-LBP	28	115	27	67	16	14	85	43	1.224	29,19	*	20
C52AG-LBP	35	140	32	72	18	18	100	45	2.048	37,28	*	20
C52AH-LBP	42	150	41,8	80	18	18	110	48	2.394	43,26	*	20
C52AJ-LBP	54	165	54	96	18	18	125	59	2.844	52,29	*	20
C52AK	76,1	185	72	134	18	18	145	79	3.584	75,60	*	10
C52AL	88,9	200	85	141	20	18	160	78	4.450	92,40	*	10
C52AM	108	220	104	166	20	18	180	89	5.271	127,05	*	10

**PN 6**

Codice	d	D	di	L	H	m	k	Z	peso in grammi	€	pezzi per sacchetto	lotto min.
C53AE-LBP	22	90	21	61	14	11	65	38	676	23,63	*	20
C53AF-LBP	28	100	27	65	14	11	75	41	828	26,78	*	10
C53AG-LBP	35	120	32	70	16	14	90	43	1.364	35,18	*	10
C53AH-LBP	42	130	39	77	16	14	100	45	1.608	40,85	*	10
C53AJ-LBP	54	140	54	96	16	14	110	59	1.790	49,88	*	10
C53AK	76,1	160	72	130	14	14	130	75	2.144	71,40	*	5
C53AL	88,9	190	85	137	16	18	150	74	3.306	86,10	*	5
C53AM	108	210	104	162	16	18	170	85	4.100	120,75	*	5

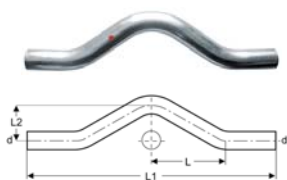
**GIUNTO A SALDARE\*\***



\*\* Non galvanizzato

Codice	d-d1	L	I	peso in grammi	€	pezzi per sacchetto	lotto min.
C13AB	12-17,2	120	26	123	3,86	*	100
C13AC	15-17,2	120	30	127	3,74	*	80
C13AD	18-21,3	120	30	131	3,85	*	80
C13AE	22-26,9	120	34	217	4,20	*	50
C13AF	28-33,7	120	34	303	5,44	*	40
C13AG	35-42,4	120	40	420	6,36	*	30
C13AH	42-48,3	120	45	440	7,59	*	24
C13AJ	54-60,3	120	50	540	9,30	*	24
C13AK	76,1-76,1	120	70	570	28,88	*	10
C13AL	88,9-88,9	120	75	692	36,23	*	10
C13AM	108-114,3	120	90	842	50,82	*	10

**SCAVALCAMENTO**



Codice	d	L1	L2	L	peso in grammi	€	pezzi per sacchetto	lotto min.
C76AB	12	200	35	55	86	4,95	*	30
C76AC	15	202	37	64	110	5,20	*	30
C76AD	18	237	42	66	148	5,51	*	30
C76AE	22	233	42	58	197	5,90	*	20
C76AF	28	301	50	102	312	6,91	*	20

**SCAVALCAMENTO CORTO**

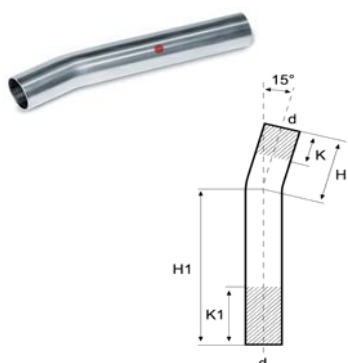


Codice	d	L1	L2	L	peso in grammi	€	pezzi per sacchetto	lotto min.
C77AB	12	154	35	55	61	2,90	*	30
C77AC	15	145	37	57	81	2,90	*	30
C77AD	18	157	40	60	107	3,14	*	30
C77AE	22	175	52	65	145	3,56	*	30
C77AF	28	226	65	74	240	4,25	*	30

\*La quantità inserita nel sacchetto varierà in funzione della quantità ordinata, nel rispetto del lotto minimo .

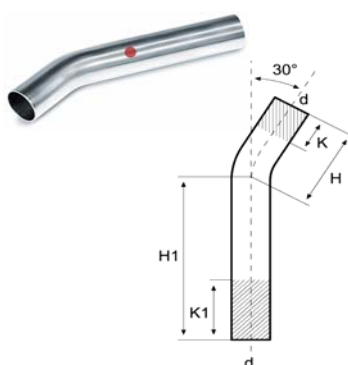
Dati soggetti a modifiche senza impegno di preavviso

## TUBO CURVO 15°



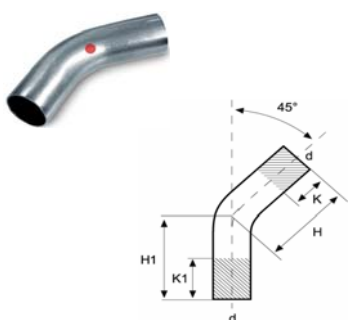
Codice	d	H1	H	K	K1	peso in grammi	€	pezzi per sacchetto	lotto min.
C75AB	12	122	60	21	83	71	2,51	*	20
C75AC	15	122	60	21	83	92	2,72	*	20
C75AD	18	128	55	15	88	90	2,93	*	20
C75AE	22	124	50	7	81	131	3,16	*	20
C75AF	28	136	45	7	47	182	3,11	*	20
C75AG	35	234	62	30	110	364	6,36	*	15
C75AH	42	276	94	44	144	528	11,70	*	8
C75AJ	54	337	117	65	165	894	14,16	*	8
C75AK	76,1	230	226	65	65	1.650	53,20	*	3
C75AL	88,9	260	240	80	80	2.160	62,20	*	3
C75AM	108	291	222	95	95	2.688	76,81	*	3

## TUBO CURVO 30°



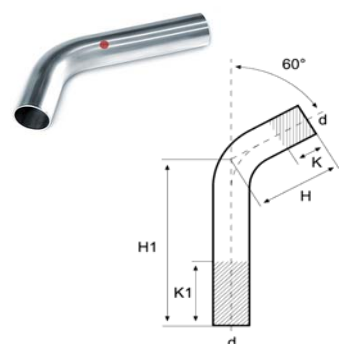
Codice	d	H1	H	K	K1	peso in grammi	€	pezzi per sacchetto	lotto min.
C74AB	12	122	60	21	83	71	2,65	*	20
C74AC	15	122	60	21	83	92	2,86	*	20
C74AD	18	128	55	16	89	88	3,08	*	20
C74AE	22	124	50	6	80	130	3,31	*	20
C74AF	28	130	54	7	47	176	3,51	*	20
C74AG	35	218	80	30	110	362	6,98	*	15
C74AH	42	274	98	44	144	551	12,42	*	8
C74AJ	54	324	137	65	165	886	14,89	*	8
C74AK	76,1	200	202	66	66	1.413	54,70	*	3
C74AL	88,9	262	264	80	80	2.209	64,58	*	3
C74AM	108	259	272	95	95	2.554	81,81	*	3

## TUBO CURVO 45°



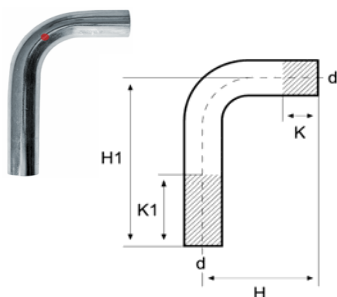
Codice	d	H1	H	K	K1	peso in grammi	€	pezzi per sacchetto	lotto min.
C73AB	12	120	62	19	77	70	2,73	*	20
C73AC	15	120	62	19	77	92	2,96	*	20
C73AD	18	124	58	16	82	88	3,23	*	20
C73AE	22	120	56	7	71	130	3,46	*	20
C73AF	28	122	58	2	66	170	3,92	*	20
C73AG	35	206	94	20	132	366	7,65	*	12
C73AH	42	262	114	1	149	538	13,35	*	8
C73AJ	54	321	146	37	212	889	15,83	*	8
C73AK	76,1	225	225	69	69	1.660	56,36	*	3
C73AL	88,9	267	267	103	103	2.270	66,33	*	3
C73AM	108	293	293	66	66	3.022	84,94	*	3

## TUBO CURVO 60°



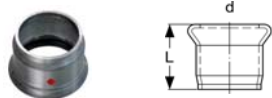
Codice	d	H1	H	K	K1	peso in grammi	€	pezzi per sacchetto	lotto min.
C72AB	12	122	60	21	83	70	2,90	*	20
C72AC	15	122	60	21	83	90	3,11	*	20
C72AD	18	122	62	16	76	110	3,46	*	20
C72AE	22	118	60	5	63	130	3,69	*	20
C72AF	28	116	71	7	47	176	4,33	*	10
C72AG	35	226	101	30	110	396	8,32	*	8
C72AH	42	251	124	44	145	544	14,24	*	8
C72AJ	54	308	162	65	165	857	16,46	*	8
C72AK	76,1	219	223	70	70	1.537	57,93	*	3
C72AL	88,9	250	257	80	80	2.090	68,80	*	3
C72AM	108	288	298	95	95	2.542	87,83	*	3

## TUBO CURVO 90°



Codice	d	H1	H	K	K1	peso in grammi	€	pezzi per sacchetto	lotto min.
C70AB	12	120	70	17	67	70	1,85	*	80
C70AC	15	120	70	22	72	90	2,05	*	80
C70AD	18	120	70	17	67	100	2,22	*	60
C70AE	22	120	70	9	59	126	2,33	*	60
C70AF	28	125	97	7	47	191	2,72	*	40
C70AG	35	201	121	62	62	359	6,00	*	24
C70AH	42	254	160	90	90	530	9,33	*	24
C70AJ	54	302	202	45	45	867	12,51	*	20
C70AK	76,1	250	250	62	60	1.634	57,54	*	5
C70AL	88,9	291	291	90	90	2.240	69,20	*	5
C70AM	108	364	364	45	45	3.170	87,99	*	5

## MEZZO MANICOTTO A SALDARE\*\*

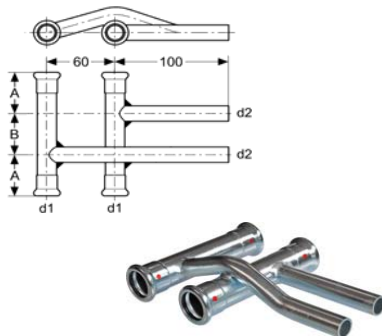


Codice	d	L	peso in grammi	€	pezzi per sacchetto	lotto min.
C17AB-LBP	12	23	14	1,04	*	120
C17AC-LBP	15	25	16	1,16	*	100
C17AD-LBP	18	25	20	1,25	*	80
C17AE-LBP	22	27	28	1,36	*	60
C17AF-LBP	28	30	35	1,73	*	40
C17AG-LBP	35	34	53	2,73	*	40
C17AH-LBP	42	38	70	3,67	*	20
C17AJ-LBP	54	44	96	4,40	*	20
C17AK	76,1	68	290	16,38	*	10
C17AL	88,9	78	397	20,37	*	10
C17AM	108	94	584	27,14	*	10

\*\* Non galvanizzato.

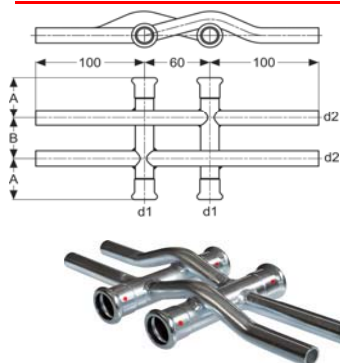
Per conoscere le condizioni di impiego di questo componente siete pregati di contattare il nostro ufficio tecnico

## SCAVALCO SINGOLO



Codice	d1-d2	A	B	peso in grammi	€	pezzi per sacchetto	lotto min.
C91BB-LBP	12-12	30	40	188	25,73	*	20
C91BC-LBP	15-12	40	40	234	25,94	*	20
C91CC-LBP	15-15	40	40	255	26,04	*	20
C91BD-LBP	18-12	40	40	262	26,15	*	20
C91CD-LBP	18-15	40	40	284	26,88	*	20
C91BE-LBP	22-12	40	40	304	27,72	*	20
C91CE-LBP	22-15	40	40	327	29,19	*	20
C91BF-LBP	28-12	40	40	430	29,82	*	20
C91CF-LBP	28-15	40	40	380	30,24	*	20

## SCAVALCO DOPPIO

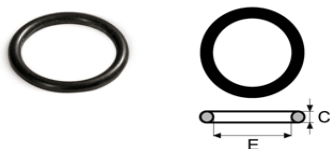


Codice	d1-d2	A	B	peso in grammi	€	pezzi per sacchetto	lotto min.
C90BB-LBP	12-12	30	40	230	34,23	*	20
C90BC-LBP	15-12	40	40	315	37,59	*	20
C90CC-LBP	15-15	40	40	360	38,22	*	20
C90BD-LBP	18-12	40	40	358	40,11	*	20
C90CD-LBP	18-15	40	40	399	40,85	*	20
C90BE-LBP	22-12	40	40	366	41,48	*	20
C90CE-LBP	22-15	40	40	422	41,79	*	20
C90BF-LBP	28-12	40	40	440	43,47	*	20
C90CF-LBP	28-15	40	40	487	44,94	*	20
C90CG-LBP	35-15	40	40	528	50,19	*	20



**O-RING in EPDM nero per ACQUA POTABILE**

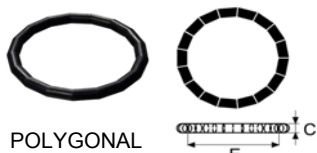
*Certificato DVGW 534*



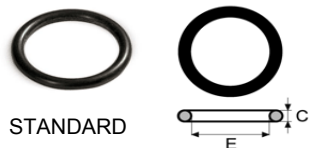
Codice	Ø	E	C	peso in grammi	€	lotto minimo
000719	12	12	2,4	0,3	0,18	150
000720	15	15	2,6	0,3	0,19	150
000721	18	18	2,6	0,4	0,24	150
000722	22	22	3,2	0,7	0,27	150
000723	28	28	3,1	0,8	0,29	150
000724	35	35	3,1	1,0	0,32	100
000725	42	42	4,1	2,2	0,48	100
000726	54	54	4,1	2,8	0,56	100
000727	76,1	76,8	8	11,5	1,17	50
000728	88,9	89,3	8,2	17,5	1,56	50
000729	108	108,6	11	33,8	3,08	50

**O-RING in EPDM nero per ACQUA POTABILE**

*Certificato LBP - DVGW 534*



POLYGONAL



STANDARD

Codice	Ø	E	C	peso in grammi	€	lotto minimo
008875	12	12	2,4	0,3	0,18	150
008876	15	15	2,6	0,3	0,19	150
008877	18	18	2,6	0,4	0,24	150
008878	22	22	3,2	0,7	0,27	150
008879	28	28	3,1	0,8	0,29	150
008880	35	35	3,1	1,0	0,32	100
008881	42	42	4,1	2,2	0,48	100
008882	54	54	4,1	2,8	0,56	100
000727	76,1	76,8	8	11,5	1,17	50
000728	88,9	89,3	8,2	17,5	1,56	50
000729	108	108,6	11	33,8	3,08	50

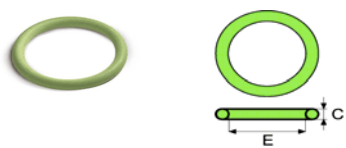
**O-RING in FPM rosso per OLII e IDROCARBURI FINO A 180°C\***



Codice	Ø	E	C	peso in grammi	€	lotto minimo
007496	12	12	2,4	0,3	0,59	100
007243	15	15	2,6	0,3	0,61	100
007244	18	18	2,6	0,4	0,76	100
007245	22	22	3,2	0,7	0,87	100
007246	28	28	3,1	0,8	1,01	100
007247	35	35	3,1	1,0	1,11	50
007248	42	42	4,1	2,2	1,31	50
007249	54	54	4,1	2,8	1,55	50
007250	76,1	76,8	8	11,5	3,86	20
007251	88,9	89,3	8,2	17,5	5,77	20
007252	108	108,6	11	33,8	10,61	20

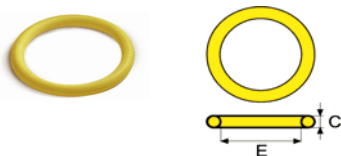
\* Preghiamo contattarci prima di inviare ordini

**O-RING in FPM verde per IMPIANTI SOLARI, OLII e IDROCARBURI FINO A 180°C\***

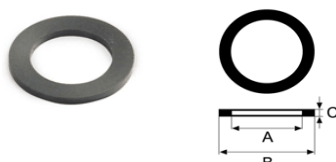


Codice	Ø	E	C	peso in grammi	€	lotto minimo
002485	12	12	2,4	0,3	0,57	100
002849	15	15	2,6	0,3	0,59	100
002850	18	18	2,6	0,4	0,68	100
002851	22	22	3,2	0,7	0,75	100
002852	28	28	3,1	0,8	0,91	100
002853	35	35	3,1	1,0	1,26	50
002854	42	42	4,1	2,2	2,04	50
002855	54	54	4,1	2,8	2,21	50
002983	76,1	76,8	8	11,5	3,13	20
002984	88,9	89,3	8,2	17,5	4,68	20
002985	108	108,6	11	33,8	8,61	20

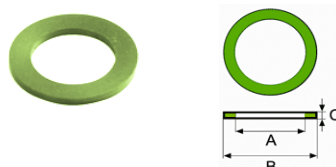
\* Preghiamo contattarci prima di inviare ordini

**O-RING in HNBR giallo per GAS**
*STANDARD per Acciaio Inox Gas*


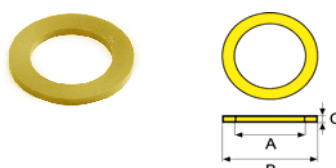
Codice	Ø	E	C	peso in grammi	€	lotto minimo
002579	15	15	2,6	0,3	0,70	150
002580	18	18	2,6	0,4	0,76	150
002581	22	22	3,2	0,7	0,88	150
002582	28	28	3,1	0,8	0,98	150
002583	35	35	3,1	1,0	1,09	100
002584	42	42	4,1	2,2	1,29	100
002585	54	54	4,1	2,8	1,52	100
003266	76,1	76,8	8	11,5	5,78	50
003267	88,9	89,3	8,2	17,5	9,03	50
003268	108	108,6	11	33,8	10,29	50

**GUARNIZIONE PIATTA IN EPDM nera per ACQUA POTABILE**

 Big Size disponibili su richiesta.  
 Contattare il nostro Ufficio Commerciale

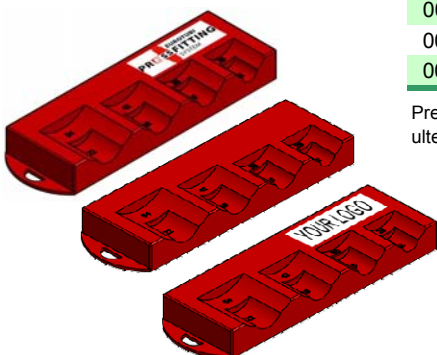
Codice	Ø	A	B	C	peso in grammi	€	lotto minimo
002409	15	15	23	2	0,5	0,39	100
002409	18	15	23	2	0,5	0,39	100
002410	22	22,5	29,6	2	0,7	0,42	100
002411	28	27	38,6	2	1,4	0,53	100
002412	35	35	44,6	2	1,3	0,60	50
002413	42	40	50,6	2	1,7	0,66	50
002414	54	53,5	67	3	4,0	0,97	50

**GUARNIZIONE PIATTA IN FPM verde per IMPIANTI SOLARI, OLII e IDROCARBURI FINO A 180°C\***

 Big Size disponibili su richiesta.  
 Contattare il nostro Ufficio Commerciale

Codice	Ø	A	B	C	peso in grammi	€	lotto minimo
004992	15	15	23	2	0,5	1,01	100
004992	18	15	23	2	0,5	1,01	100
004993	22	22,5	29,6	2	0,7	1,35	100
004994	28	27	38,6	2	1,4	1,60	100
004995	35	35	44,6	2	1,3	1,79	50
004996	42	40	50,6	2	1,7	2,06	50
004997	54	53,5	67	3	4,0	3,36	30

**GUARNIZIONE PIATTA IN HNBR gialla per GAS**

 Big Size disponibili su richiesta.  
 Contattare il nostro Ufficio Commerciale

Codice	Ø	A	B	C	peso in grammi	€	lotto minimo
003237	15	15	23	2	0,5	1,26	100
003237	18	15	23	2	0,5	1,26	100
003238	22	22,5	29,6	2	0,7	1,37	100
003239	28	27	38,6	2	1,4	1,58	100
003240	35	35	44,6	2	1,3	1,79	50
003241	42	40	50,6	2	1,7	2,05	50
003242	54	53,5	67	3	4,0	2,31	50

**ATTREZZATURA PER PROFONDITÀ D'INNESTO**


Codice	€	lotto minimo
008021	con logo	0,50 100
008022	senza logo	1,00 100
008023	con logo personalizzato (su etichetta adesiva)	1,50 1.000

Preghiamo di contattare il nostro Ufficio Commerciale per ulteriori informazioni

(prezzo netto)

## AISI 316L

Tubazioni in acciaio Inox 1.4404 (316L) con certificazione DVGW per acqua potabile e gas e VdS per impianti antincendio.



Ø 15-108



Ø 22-108

\* La certificazione VdS è vincolata all'utilizzo di tubi e raccordi Pressfitting

Codice	Ø est [mm]	Spessore [mm]	Lunghezza [m]	Peso [kg/m]	Prezzo [Euro/m]	Fascio m [barre 6m]
TUICR015	15	1	6	0,351		1.014
TUICR018	18	1	6	0,426		1.014
TUICR022	22	1,2	6	0,625		762
TUICR028	28	1,2	6	0,805		546
TUICR035	35	1,5	6	1,258		546
TUICR042	42	1,5	6	1,521		366
TUICR054	54	1,5	6	1,972		366
TUICR076	76,1	2	6	3,711		222
TUICR088	88,9	2	6	4,352		114
TUICR108	108	2	6	5,308		108

## AISI 304

Tubazioni in acciaio Inox 1.4307 per applicazioni industriali, aria compressa, riscaldamento e raffreddamento.



Codice	Ø est [mm]	Spessore [mm]	Lunghezza [m]	Peso [kg/m]	Prezzo [Euro/m]	Fascio m [barre 6m]
TUICR304-015	15	1	6	0,351		1.302
TUICR304-018	18	1	6	0,426		1.014
TUICR304-022	22	1,2	6	0,625		1.014
TUICR304-028	28	1,2	6	0,805		546
TUICR304-035	35	1,5	6	1,258		366
TUICR304-042	42	1,5	6	1,521		234
TUICR304-054	54	1,5	6	1,972		234
TUICR304-076	76,1	2	6	3,711		168
TUICR304-088	88,9	2	6	4,352		168
TUICR304-108	108	2	6	5,308		108

Per tubazioni in acciaio INOX FERRITICO 1.4520 vi preghiamo di contattarci.

### ATTREZZATURE DI PRESSATURA E GANASCE

Compatibile con le attrezzature di diversi produttori presenti sul mercato.



## ZINCATURA ESTERNA

Tubazioni in acciaio al CARBONIO secondo EN 10305-3, zincatura esterna 8 micron. Barre disponibili da 5 e 6 m.



Codice	Øest [mm]	Spessore [mm]	Lunghezza [m]	Peso [kg/m]	Prezzo [Euro/m]	Fascio m [barre 5m]	Fascio m [barre 6m]
TUCZ012-6	12	1,2	5m/6m	0,319		520	624
TUCZ015-6	15	1,2	5m/6m	0,408		1.075	1.290
TUCZ018-6	18	1,2	5m/6m	0,497		1.270	1.524
TUCZ022-6	22	1,5	5m/6m	0,758		1.075	1.290
TUCZ028-6	28	1,5	5m/6m	0,980		520	624
TUCZ035-6	35	1,5	5m/6m	1,239		335	402
TUCZ042-6	42	1,5	5m/6m	1,498		335	402
TUCZ054-6	54	1,5	5m/6m	1,942		305	366
TUCZ076-6	76,1	2	6m	3,655			222
TUCZ088-6	88,9	2	6m	4,286			222
TUCZ108-6	108	2	6m	5,228			114

## ZINCATURA INTERNA ED ESTERNA

Tubazioni in acciaio al CARBONIO secondo EN 10305-3, zincatura interna ed esterna.



La certificazione VdS è vincolata all'utilizzo di tubi e raccordi Pressfitting

Codice	Øest [mm]	Spessore [mm]	Lunghezza [m]	Peso [kg/m]	Prezzo [Euro/m]	Fascio m [barre 6m]
TUCZI015	15	1,2	6m	0,408		1290
TUCZI018	18	1,2	6m	0,497		1524
TUCZI022	22	1,5	6m	0,758		1290
TUCZI028	28	1,5	6m	0,980		624
TUCZI035	35	1,5	6m	1,239		402
TUCZI042	42	1,5	6m	1,498		402
TUCZI054	54	1,5	6m	1,942		366
TUCZI076	76,1	2	6m	3,655		222
TUCZI088	88,9	2	6m	4,286		222
TUCZI108	108	2	6m	5,228		114

## TUBO RICOPERTO IN POLIPROPILENE

Tubazioni in acciaio al CARBONIO zincate esternamente e ricoperte in polipropilene.



Codice	Øest [mm]	Spessore [mm]	Lunghezza [m]	Peso [kg/m]	Prezzo [Euro/m]	Fascio m [barre 6m]
TUCZPP012	12	1,2	6m	0,319		1.884
TUCZPP015	15	1,2	6m	0,408		1.488
TUCZPP018	18	1,2	6m	0,497		1.212
TUCZPP022	22	1,5	6m	0,758		810
TUCZPP028	28	1,5	6m	0,980		624
TUCZPP035	35	1,5	6m	1,239		462
TUCZPP042	42	1,5	6m	1,498		402
TUCZPP054	54	1,5	6m	1,942		306

## VANTAGGI DELLA TECNOLOGIA PRESSFITTING

- Minimo consumo di materiale
- Minimo dispendio di energia
- Facilmente trasportabile
- Ideale per installazioni modulari
- Semplicità e rapidità d'installazione
- Ridotti costi di posa in opera
- Affidabilità di materiali e tecnologia
- Lunga durata nel tempo
- Piacevole aspetto estetico
- Ampia gamma di raccordi, da Ø12mm a Ø108mm

## I NOSTRI VALORI

### • Qualità

La qualità ha un ruolo prioritario. Il sistema qualità è certificato ISO 9001-2008, mentre il sistema Pressfitting ha ottenuto le omologazioni dei più importanti Enti Certificatori internazionali, conseguendo ottimi risultati nei più severi test di collaudo.



### • Servizio post-vendita

Grazie a personale altamente qualificato, Pressfitting è in grado di offrire ai propri clienti un valido servizio di consulenza e assistenza post-vendita.

### • Produzione propria

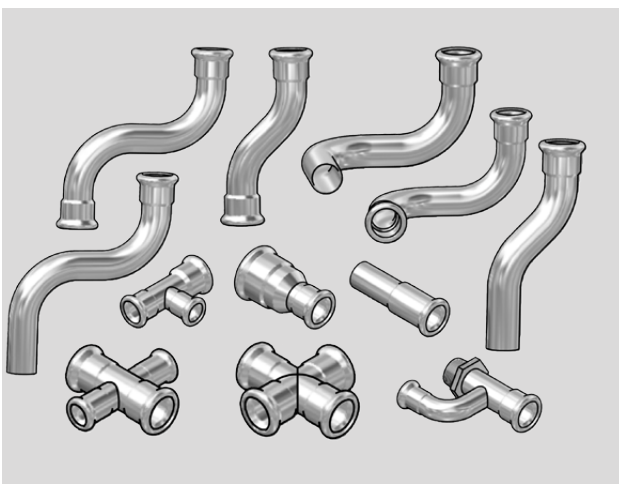
I raccordi Pressfitting sono prodotti interamente in Italia. La completa autonomia nel processo produttivo è un'ulteriore garanzia di qualità.

### • Affidabilità nel tempo

Un impianto realizzato con i raccordi Pressfitting, gli utensili corretti, i tubi omologati e seguendo rigorosamente il Manuale Tecnico, può avere una durata di almeno 20 anni. Questa indicazione non costituisce garanzia legale. Per quel che riguarda le garanzie del venditore, la nostra società e i nostri prodotti si attengono rigorosamente alle disposizioni di legge in materia.

## PEZZI SPECIALI

**Fil Pemto** è in grado di realizzare pezzi speciali su disegno del cliente, con terminali pressfitting e/o groove fittings e di gestire efficacemente piccole e grandi commesse





FIL-PEMTO **SPA** DIVISIONE IDROTERMICA

Sede Commerciale e Operativa

Via Bergamo, 1465 - 21042 Caronno P.Ila (VA)

Tel 02 9656420 - Fax 0331 1814644

C.F./P.IVA 01329010159 -

[www.filpemtodi.it](http://www.filpemtodi.it) [commerciale@filpemtodi.it](mailto:commerciale@filpemtodi.it)

Agente di Zona

Distributore